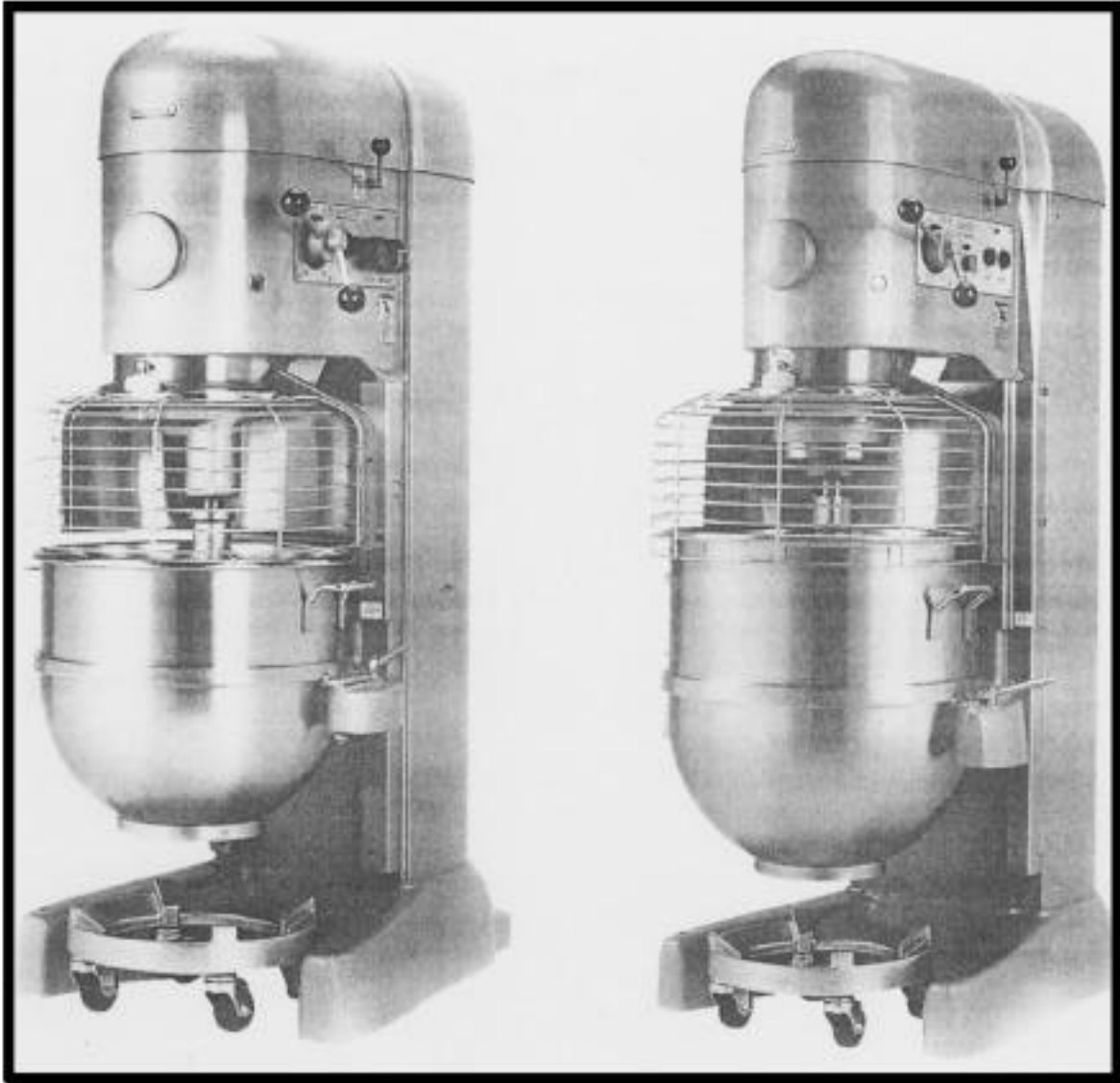


HOBART

CATALOG OF REPLACEMENT PARTS



MODELS M802 & V1401 SERIES MIXERS

(INCLUDES MOTOR PARTS)

ML-104434
ML-104435
ML-104455
ML-104456

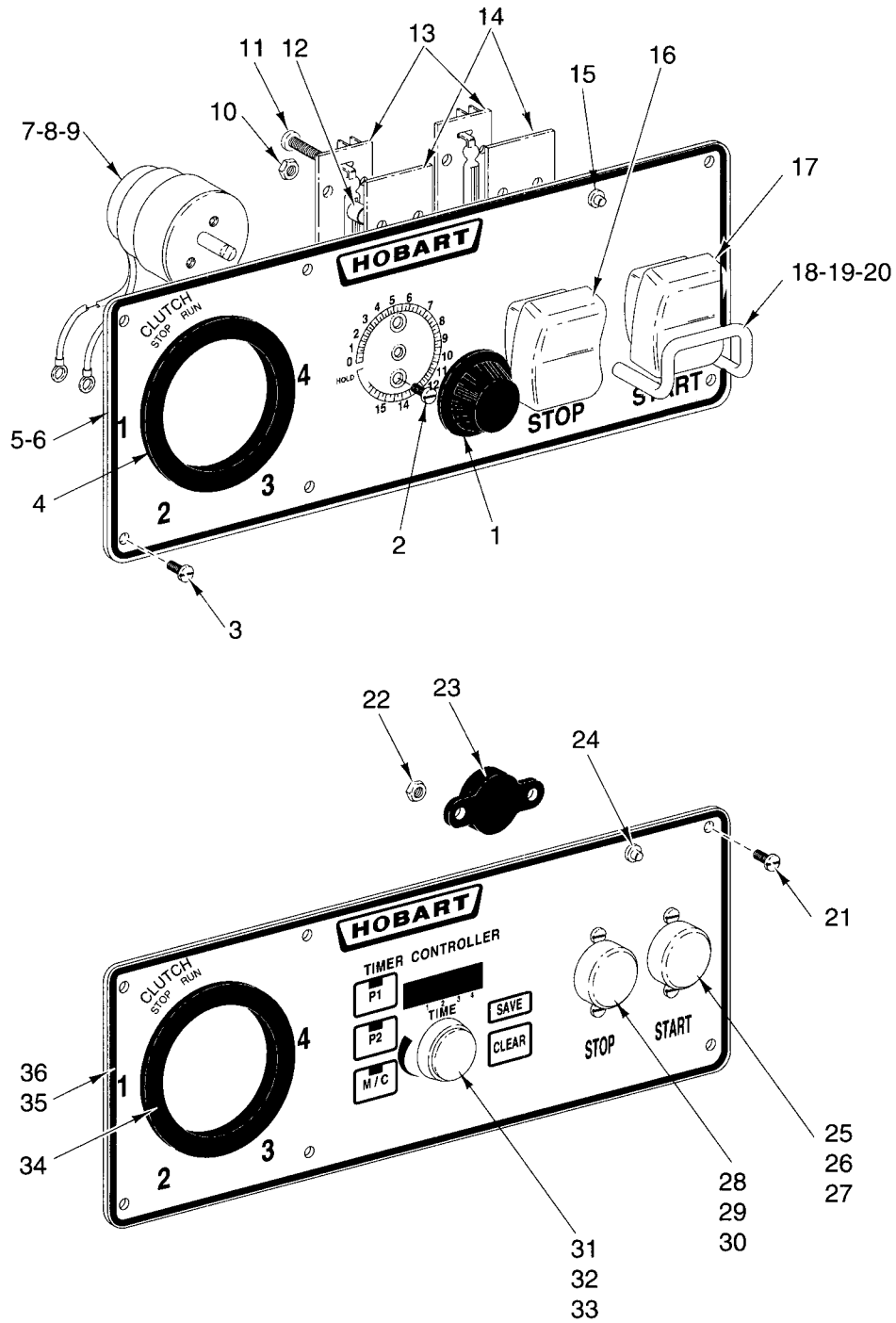
ML-104430
ML-104431
ML-104459
ML-104460

M802
M802 (14" Higher Than Standard)
M802U
M802U (14" Higher Than Standard)

V1401
V1401 (17" Higher Than Standard)
V1401U
V1401U (17" Higher Than Standard)

INDEX

SWITCH PLATE & TIMER UNIT	2
ELECTRICAL UNIT	4
BASE & PEDESTAL UNIT (M802)	6
BASE & PEDESTAL UNIT (V1401)	8
SHIFTING UNIT	10
MOTOR UNIT (M802)	12
MOTOR UNIT (V1401)	13
MOTOR PARTS (M802)	14
MOTOR PARTS (V1401)	15
TRANSMISSION CASE UNIT	16
BOWL SUPPORT UNIT (M802)	18
BOWL SUPPORT UNIT (V1401)	20
TRANSMISSION GEAR UNIT (M802)	22
TRANSMISSION GEAR UNIT (V1401)	24
CLUTCH & BRAKE UNIT (M802)	26
CLUTCH & BRAKE UNIT (V1401)	28
POWER BOWL LIFT UNIT	30
PLANETARY UNIT (M802)	32
PLANETARY UNIT (V1401)	34
BOWL GUARD UNIT	36
BOWLS & EQUIPMENT (M802)	38
BOWLS & EQUIPMENT (V1401)	40
AGITATORS (M802)	42
AGITATORS (V1401)	43
ATTACHMENT HUB UNIT	44



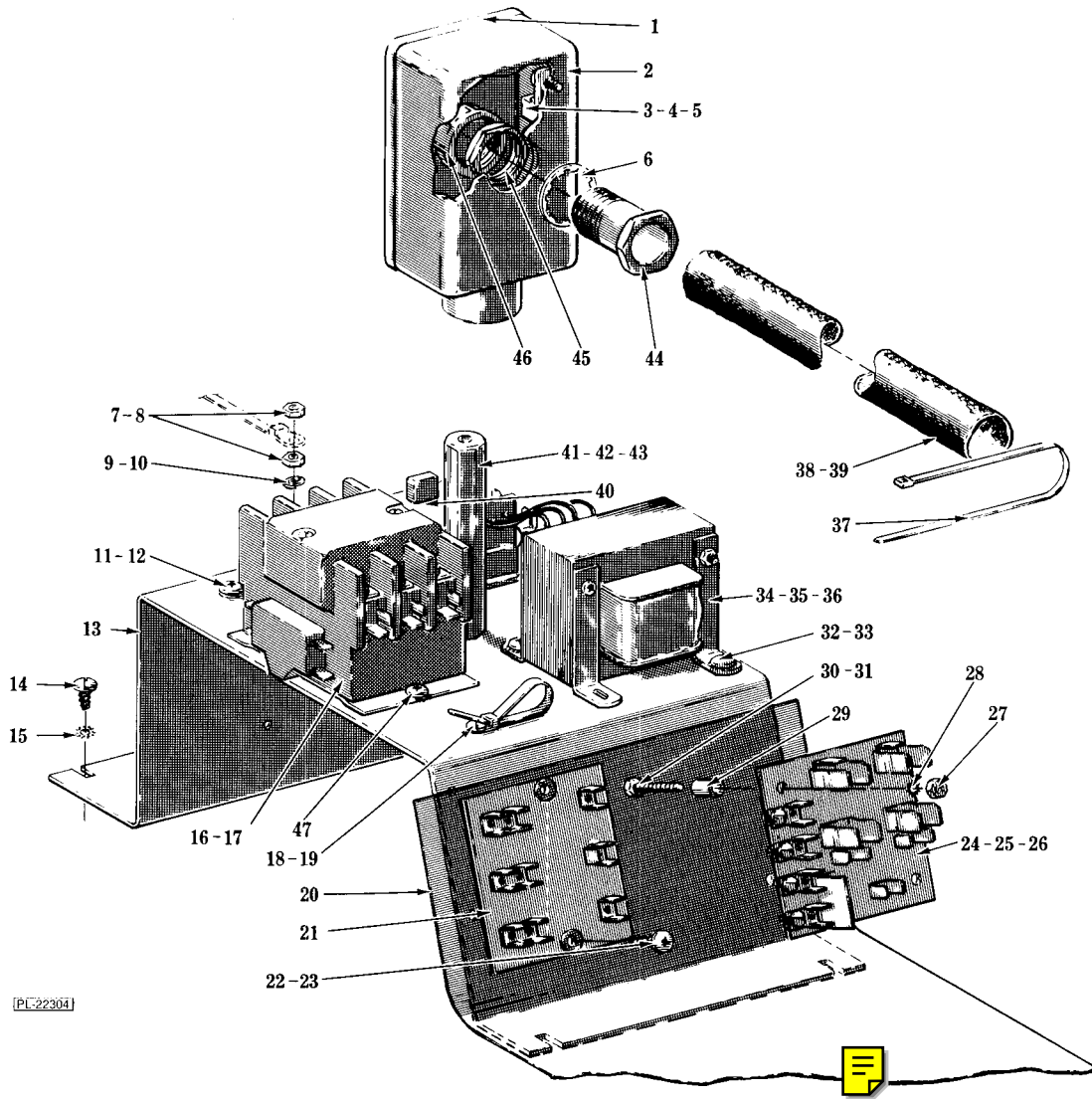
PL-51475

SWITCH PLATE AND TIMER UNIT



SWITCH PLATE AND TIMER UNIT

ILLUS. PL-51475	PART NO.	NAME OF PART	AMT.
1	291748	Knob - Timer	1
2	SC-13-7	Mach. Screw 5-40 x ¼ Flat Hd.	2
3	123131	Self-Tapping Screw 8-32 x ¾ Truss Hd."Taptite"	6
4	64462	Grommet - Gear Shift Hub	1
5	291731-2	Plate - Switch (Standard Machine)	1
6	291733-2	Plate - Switch (Higher than Standard Machine)	1
7	294650-4-1	Timer Assy.(115 V., 60 Hz.)	1
8	294650-4-3	Timer Assy. (415 V., 50 Hz.)	1
9	291750	Insulator - Switch	1
10	NS-31-1	Stop Nut 6-32 "Elastic"	4
11	SD-9-40	Self-Tapping Screw 6-32 x ¾ Phil. Pan Hd, Type F	4
12	118349	Stand Off - Reed Board (¼ Lg.)	8
13	294854	Reed Mounting Board Assy.	2
14	124022	Insulator - Reed Mounting Board	2
15	294700-4-2	Pilot Light	1
16	120872-4	Switch - Operator's Stop	1
17	120872-2	Switch - Operator's Start	1
18	116525	Guard - Switch	1
19	123109	Screw 6-32 x ¾ Serrated Hd.	2
20	WS-2-14	Washer	2
21	123131	Self-Tapping Screw 8-32 x ¾ Truss Hd."Taptite"	6
22	NS-46-17	Stop Nut 4-40 Hex	2
23	438499-2	Buzzer	1
24	294700-4-2	Pilot Light	1
25	87711-183-1	Switch - Push Button	1
26	102467-1	Cap - Push Button (Start) (Black)	1
27	SC-53-38	Mach. Screw 6-32 x ¼ Truss Hd.	2
28	87711-183-2	Switch - Push Button	1
29	102467-2	Cap - Push Button (Stop) (Red)	1
30	SC-53-38	Mach. Screw 6-32 x ¼ Truss Hd.	2
31	439289	Knob - Potentiometer W/Seal Nut	1
32	438171	Board - Display	1
33	439400-1	Board (120 V.)	1
34	64462	Grommet - Gear Shift Hub	1
35	438324-1	Switch Plate & Keypad Assy.(Standard Machine)	1
36	438324-3	Switch Plate & Keypad Assy.(Higher than Standard)	1



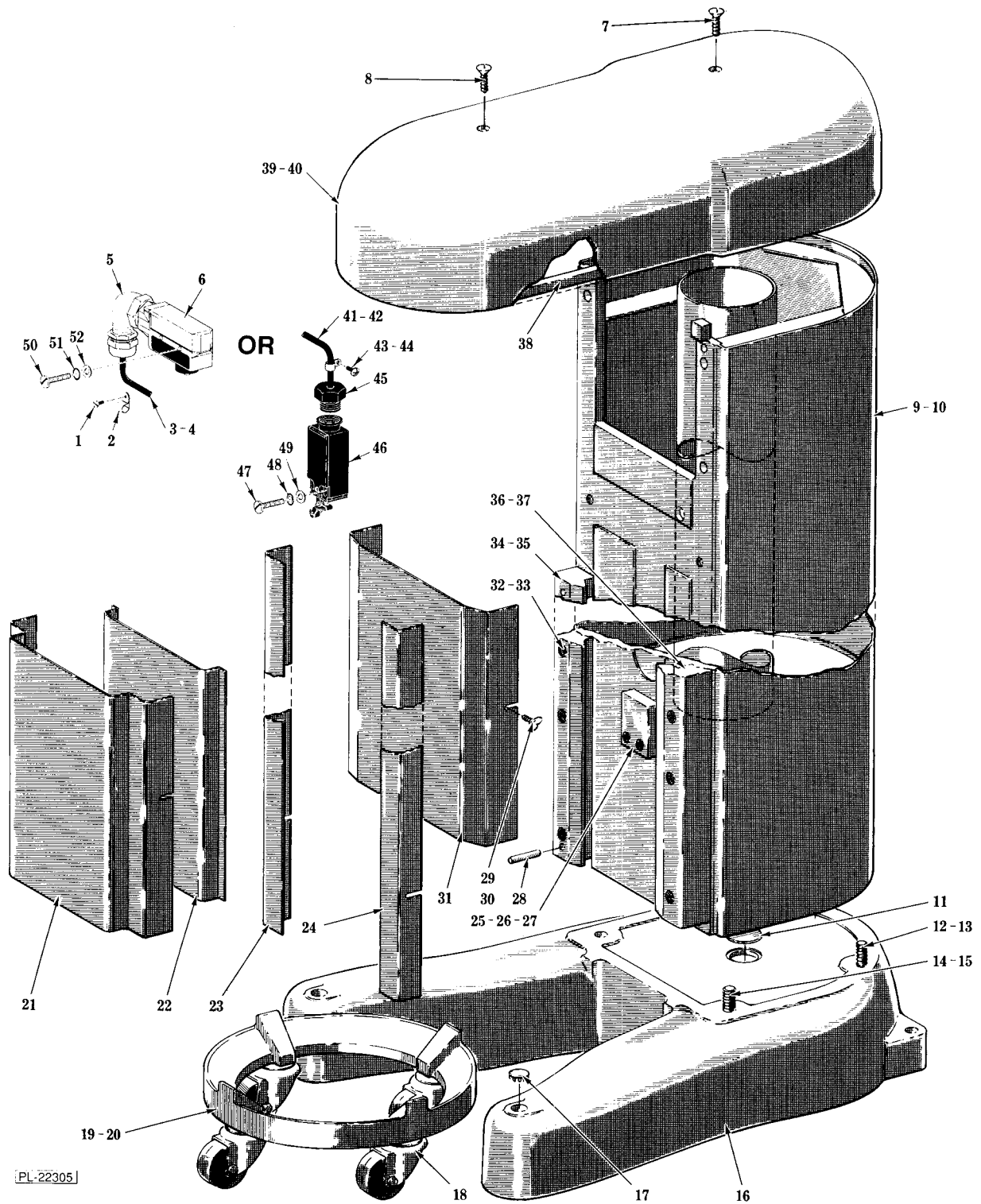
ELECTRICAL UNIT



ELECTRICAL

ILLUS. PL-22304	PART NO.	NAME OF PART	AMT.
1	FE-4-21	Cover - Junction Box	1
2	64495	Box - Junction	1
3	118544-4	Lug - Solderless	1
4	SD-24-1	Self-Tapping Screw 10-24 x 3/8 Pan Hd., Type TT	1
5	WL-10-6	Lockwasher 10 Ext. Shakeproof	1
6	WL-19-5	Lockwasher 1 1/2 Int. Shakeproof	1
7	SC-9-64	Mach. Screw 6-32 x 1 Rd. Hd.	4
8	NS-9-7	Mach. Nut 6-32 Hex	9
9	WL-3-9	Lockwasher 6 Medium	4
10	119994	Spacer	4
11	SD-15-20	Self-Tapping Screw 10-32 x 3/8 Phil Pan Hd., Type TT	1
12	124674	Tie - Cable	2
13	124676	Panel - Control	1
14	SD-24-1	Self-Tapping Screw 10-24 x 3/8 Pan Hd., Type TT	4
15	WL-10-6	Lockwasher 10 Ext. Shakeproof	4
16	121926-2	Contactor Assy.(115 V. Coil)(3 Pole)	1
17	87713-37-2	Contactor (115 V. Coil)(2Pole)	1
18	SD-15-20	Self-Tapping Screw 10-32 x 3/8 Phil Pan Hd., Type TT	1
19	124674	Tie - Cable	1
20	290376	Cover - Control	1
21	121014	Terminal Board Assy.(50/60/Hz., 3 Ph.)	1
22	SD-15-20	Self-Tapping Screw 10-32 x 3/8 Phil Pan Hd., Type TT	AR
23	WS-19-6	Washer	AR
24	114707	Terminal & Mounting Board Assy.(460 V.)	1
25	FE-19-48	Fuse (BBS - .8 Amp.)(60 Hz., 3 Ph. Mach.)	2
26	FE-16-29	Fuse (BBS - 1 Amp.)(50 Hz., 3 Ph. Mach.)	2
27	NS-9-7	Mach. Nut 6-32 Hex	2
28	WL-10-6	Lockwasher 10 Ext. Shakeproof	2
29	119994	Spacer	2
30	SC-9-64	Mach. Screw 6-32 x 1 Rd. Hd.	2
31	NS-9-7	Mach. Nut 6-32 Hex	2
32	SD-15-20	Self-Tapping Screw 10-32 x 3/8 Phil Pan Hd., Type TT	2
33	WL-7-12	Lockwasher 10 External Shakeproof	2
34	111983-2	Power Input Board Assy.(60 Hz.)(Incls.item 36)	1
35	111983-4	Power Input Board Assy.(50 Hz.)(Incls.item 36)	1
36	FE-22-63	Fuse 3 Amp., 32 V.)	1
37	113703	Cable Tie	AR
38	62336-77	Conduit 1 x 24 Lg.(Non-Metallic)	1
39	62336-78	Conduit 1 x 12 Lg.(Non-Metallic)	1
40	278328	Motor Protection Board Assy.	1
41	124655	Support - Top Cover	1
42	SC-36-14	Cap Screw 1/4-20 x 1/2 Hex Hd.	1
43	WL-3-38	Lockwasher 1/4 Medium	1
44	64494	Bushing - Conduit	1
45	FE-7-12	Lock Nut 3/4 Cnd.	2
46	FE-7-14	Bushing 3/4 Conduit	1
47	SD-15-20	Self-Tapping Screw 10-32 x 3/8 Phil Pan Hd., Type TT	2

M802/V1401 REPLACEMENT PARTS



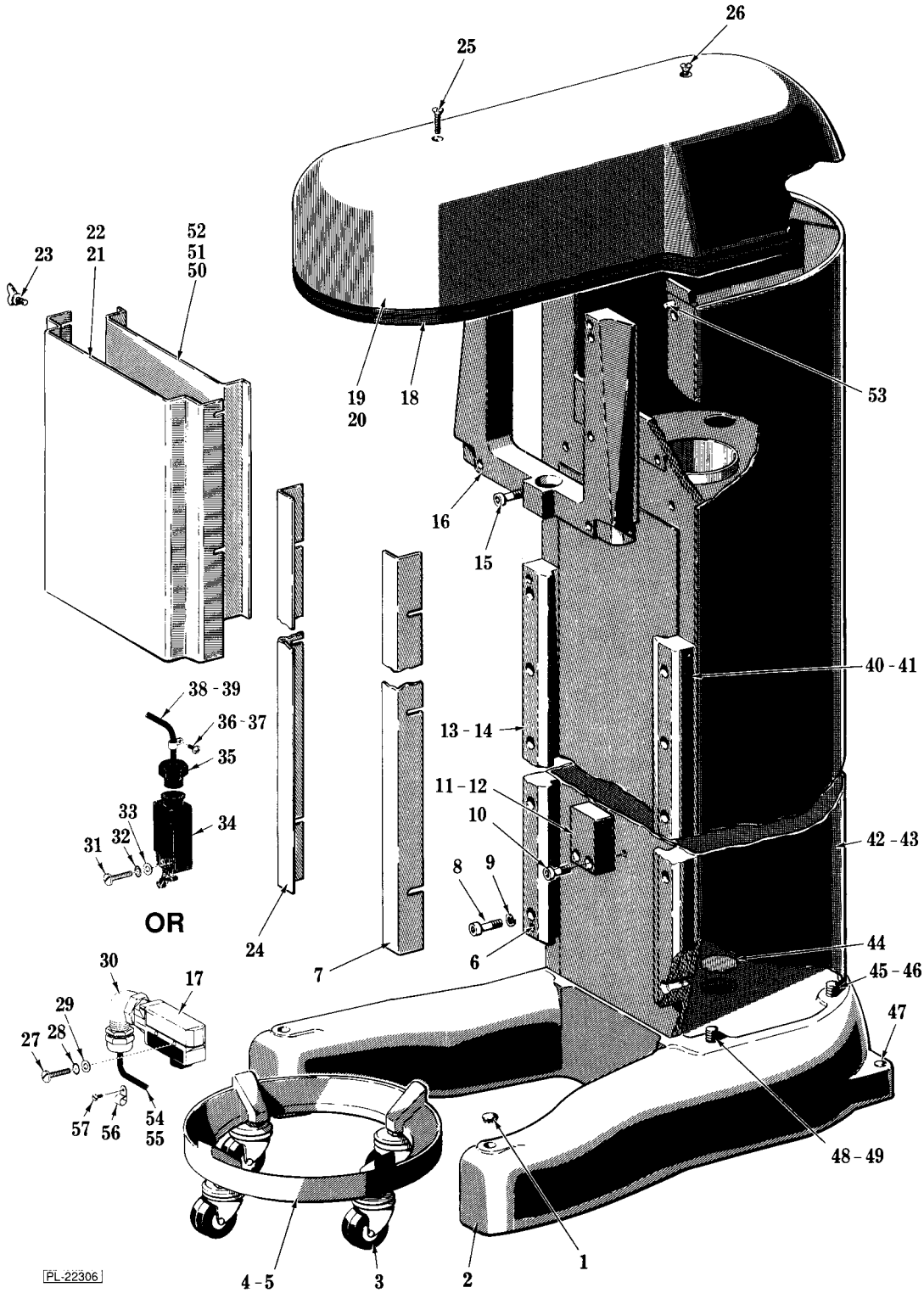
**BASE AND PEDESTAL UNIT
(M802 SERIES)**



**BASE AND PEDESTAL UNIT
(M802 SERIES)**

ILLUS. PL-22305	PART NO.	NAME OF PART	AMT.
1	SC-8-41	Mach. Screw 10-32 x 1/2 Rd. Hd.	1
2	78752-3	Clamp - Cable	1
3	294853-15	Cable - Control	1
4	270632	Bushing - Snap(Used to Route Cable thru Pedestal Wall)	1
5	FE-15-10	Strain Relief	1
6	87711-60-1	Switch - InterLock	1
7	SC-120-29	Mach. Screw 1/4-20 x 1 Phil. Oval Hd.	1
8	SC-120-30	Mach. Screw 1/4-20 x 2 Oval Hd.	1
9	64371	Pedestal Assy.(Std.)	1
10	77490	Pedestal Assy.(Higher Than Std.)	1
11	PL-3-39	Plug 2 1/4 Expansion	1
12	SC-37-1	Cap Screw 1/2-13 x 1 1/2 Hex Hd.	2
13	WL-4-12	Lockwasher 1/2 Light	2
14	SC-37-36	Cap Screw 5/8-11 x 3 1/2 Hex Hd.	2
15	WL-4-18	Lockwasher 5/8 Light	2
16	64362-2	Base	1
17	72442-1	Plug - Button (Used to Plug Holes for Hold Down Bolts)	4
18	87669-1	Caster - Bowl Truck	4
19	315011	Bowl Truck Assy.(Painted)(Packaged)(Incls.item 18)	1
20	315013	Bowl Truck Assy.(Aluminum)(Packaged)(Incls.item 18)	1
21	86502	Outer Apron Assy.(Higher Than Std.)	1
22	77495	Apron - Inner (Higher Than Std.)	1
23	77497	Cover - Slideway (L.H.)(Higher Than Std.)	1
24	77496	Cover - Slideway(R.H.)(Higher Than Std.)	1
25	290407-1	Block - Stop(Std.)	1
26	290407-2	Block - Stop(Higher Than Std.)	1
27	SC-40-69	Cap Screw 1/2-20 x 2 Soc. Fil. Hd.	2
28	11800-143	Dowel	2
29	70641-9	Thumb Screw (Std.)	2
30	70641-9	Thumb Screw (Higher Than Std.)(Cover)	4
31	64471	Apron (Std.)	1
32	SC-40-69	Cap Screw 1/2-20 x 2 Soc. Fil. Hd.	AR
33	WL-4-13	Lockwasher 1/2 Medium	AR
34	67890	Slideway (L.H.)(Standard Machine)	1
35	77492	Slideway (L.H.)(Higher Than Std.)	1
36	67889	Slideway (R.H.)(Std.)	1
37	77491	Slideway (R.H.)(Higher Than Std.)	1
38	123687-5	Seat - Top Cover (Rubber)	1
39	437605	Top Cover Assy. (M802)(Incls. item 38)	1
40	437605-2	Top Cover Assy.(M802U)(Incls. item 38)	1
41	294853-16	Cable - Control	1
42	270632	Bushing - Snap (Used to Route Cable thru Pedestal Wall)	1
43	78752-3	Clamp - Cable	1
44	SC-8-41	Mach. Screw 10-32 x 1/2 Rd. Hd.	1
45	FE-22-84	Strain Relief (Heyco 3231)(Liquid Tight)	1
46	87711-249	Limit Switch	1
47	SC-27-24	Mach. Screw 6-32 x 1 1/2 Rd. Hd.	2
48	WL-14-3	Lockwasher 6 External Shakeproof	2
49	WS-28-6	Washer	2
50	SC-27-24	Mach. Screw 6-32 x 1 1/2 Rd. Hd.	2
51	WL-14-3	Lockwasher 6 External Shakeproof	2
52	WS-28-6	Washer	2

M802/V1401 REPLACEMENT PARTS

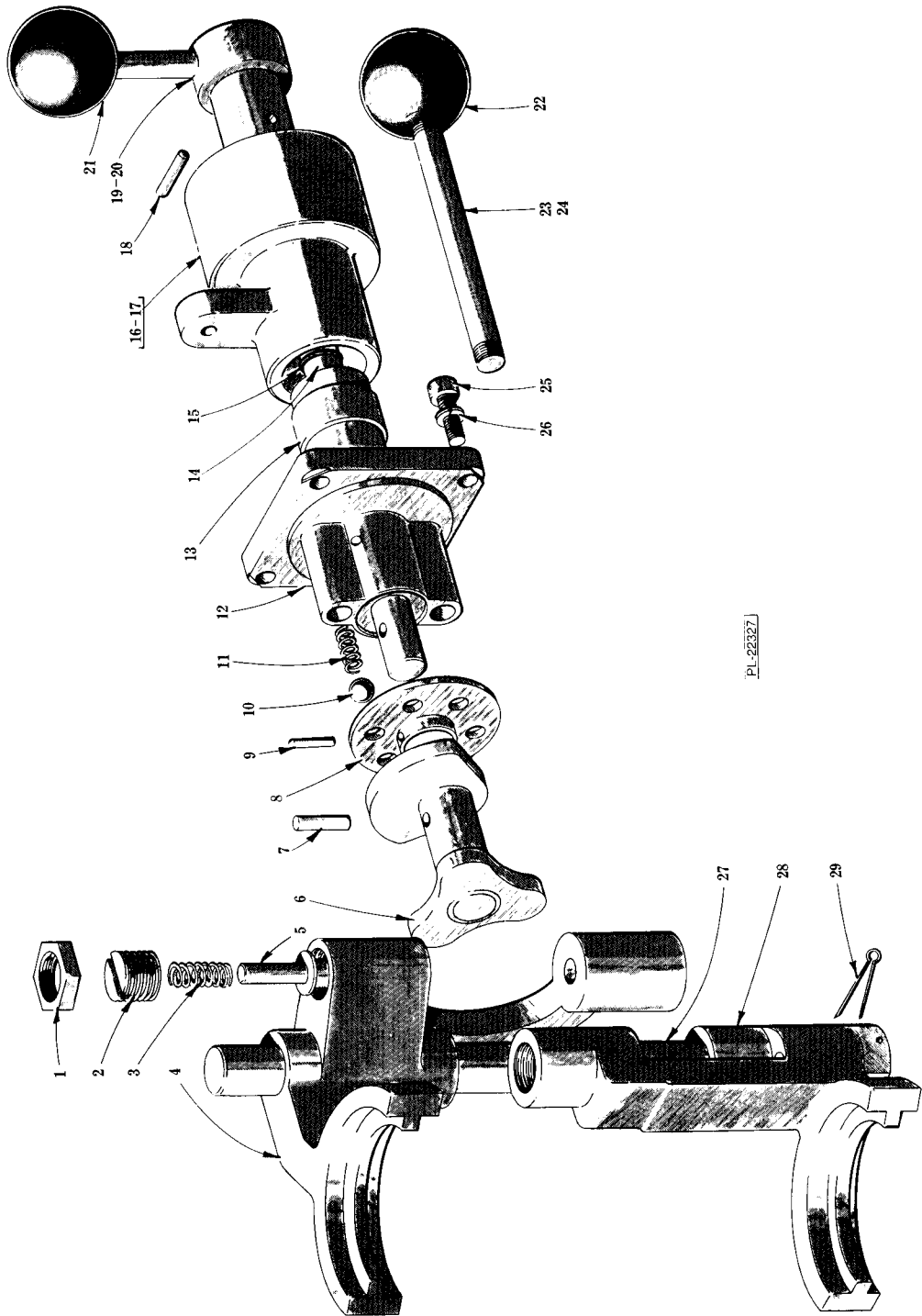


**BASE AND PEDESTAL UNIT
(V1401 SERIES)**



**BASE AND PEDESTAL UNIT
(V1401 SERIES)**

ILLUS. PL-22306	PART NO.	NAME OF PART	AMT.
1	72442-1	Plug - Button (Used to Plug Holes for Hold Down Bolts)	2
2	67880-2	Base	1
3	87669-1	Caster - Bowl Truck	4
4	315011	Bowl Truck Assy.(Painted)(Packaged)(Incls.item 3)	1
5	315013	Bowl Truck Assy.(Aluminum)(Packaged)(Incls.item 3)	1
6	11800-143	Dowel	2
7	102151	Slideway Cover Assy.(R.H.)(17 Higher than Standard Machine)	1
8	SC-40-69	Cap Screw 1/2-20 x 2 Soc. Fil. Hd.	AR
9	WL-4-13	Lockwasher 1/2 Medium	AR
10	SC-40-69	Cap Screw 1/2-20 x 2 Soc. Fil. Hd.	2
11	290408-1	Block - Stop(Standard Machine)	1
12	290408-2	Block - Stop(17 Higher than Standard Machine)(Not Shown)	1
13	67890	Slideway (L.H.)(Standard Machine)	1
14	102144	Slideway(L.H.)(17 Higher than Standard Machine)	1
15	SC-40-45	Cap Screw 3/8-11 x 2 Soc. Fil. Hd.	1
16	67923-2	Adapter - Transmission Case	1
17	87711-60-1	Switch - InterLock	1
18	123687-6	Seat - Top Cover (Rubber)	1
19	437607	Top Cover Assy.(Incls.item 18)(V1401 Machines)	1
20	437607-2	Top Cover Assy.(Incls.item 18)(V1401U Machines)	1
21	67906	Apron (Standard Machine)	1
22	102147	Apron (17 Higher than Standard Machine)	1
23	70641-9	Thumb Screw	4
24	102155	Slideway Cover Assy.(L.H.)(17 Higher than Standard Machine)	1
25	SC-120-30	Mach. Screw 1/4-20 x 2 Oval Hd.	1
26	SC-120-29	Mach. Screw 1/4-20 x 1 Phil. Oval Hd.	1
27	SC-27-24	Mach. Screw 6-32 x 1 1/2 Rd. Hd.	2
28	WL-14-3	Lockwasher 6 External Shakeproof	2
29	WS-28-6	Washer	2
30	FE-15-10	Strain Relief	1
31	SC-27-24	Mach. Screw 6-32 x 1 1/2 Rd. Hd.	2
32	WS-28-6	Washer	2
33	WL-14-3	Lockwasher 6 External Shakeproof	2
34	87711-249	Limit Switch	1
35	FE-22-84	Strain Relief (Heyco 3231)(Liquid Tight)	1
36	SC-8-41	Mach. Screw 10-32 x 1/2 Rd. Hd.	1
37	78752-3	Clamp - Cable	1
38	294853-16	Cable - Control	1
39	270632	Bushing - Snap (Used to Route Cable thru Pedestal Wall)	1
40	67889	Slideway (R.H.)(Std.)	1
41	102143	Slideway(R.H.)(17 Higher than Standard Machine)	1
42	67881	Pedestal Assy.(Standard Machine)	1
43	102142	Pedestal Assy.(17 Higher than Standard Machine)	1
44	PL-3-39	Plug 2 1/4 Expansion	1
45	SC-37-1	Cap Screw 1/2-13 x 1 1/2 Hex Hd.	2
46	WL-4-12	Lockwasher 1/2 Light	2
47	72442-1	Plug - Button (Used to plug holes for hold down bolts)	2
48	SC-37-36	Cap Screw 5/8-11 x 3 1/2 Hex Hd.	2
49	WL-4-18	Lockwasher 5/8 Light	2
50	291201	Apron - Inner	1
51	SC-10-32	Mach. Screw 8-32 x 3/8 Truss Hd.	2
52	102150	Apron - Inner (17 Higher than Standard Machine)	1
53	11800-180	Dowel	2
54	294853-15	Cable - Control	1
55	270632	Bushing - Snap (Used to Route Cable thru Pedestal Wall)	1
56	78752-3	Clamp - Cable	1
57	SC-8-41	Mach. Screw 10-32 x 1/2 Rd. Hd.	1



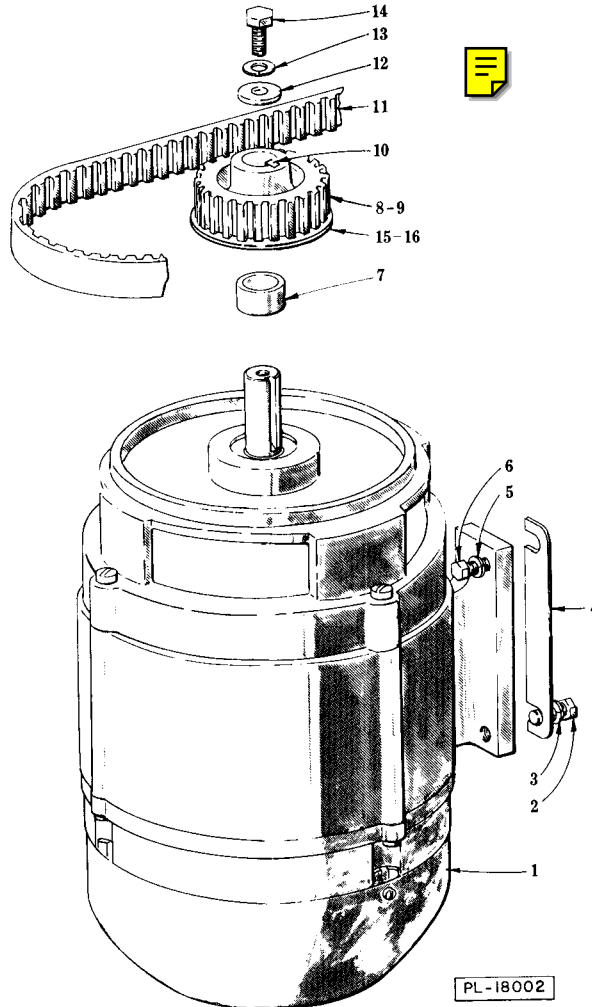
SHIFTING UNIT



SHIFTING UNIT

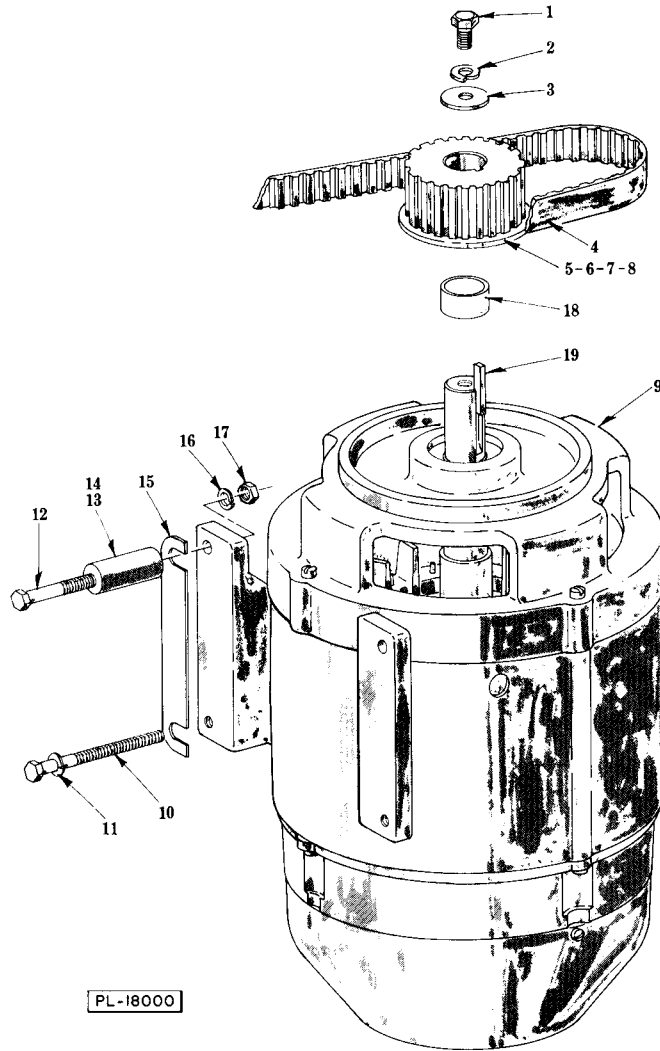
ILLUS. PL-22327	PART NO.	NAME OF PART	AMT.
1	24232	Nut - Plunger Screw	3
2	60723	Screw - Shifting Plunger	4
3	24233	Spring - Shifting Plunger	4
4	24229	Yoke - Upper Shifting	1
5	24230	Plunger - Shifting Yoke	4
6	24249	Gear Shift Cam Assy.	1
7	RP-2-6	Roll Pin 1/4 Dia. x 1 Lg.	1
8	61922-2	Hub and Cam Assy.	1
9	RP-2-10	Roll Pin 3/16 Dia. x 1 Lg.	1
10	BA-2-18	Ball 3/8 Dia.	2
11	7009	Spring	2
12	64413	Bracket - Gear Shift	1
13	119721	Bushing - Clutch Hub	2
14	64417	Shaft - Gear Shift	1
15	67500-6	"O" Ring	1
16	105710-1	Clutch Handle Hub Assy.(Ptd)(Incls.item 13)	1
17	105710-3	Clutch Handle Hub Assy.(DLX)(Incls.item 13)	1
18	RP-2-10	Roll Pin 3/16 Dia. x 1 Lg.	1
19	64553-1	Gear Shift Handle & Hub Assy.(Painted)	1
20	64553-3	Gear Shift Handle & Hub Assy. (Deluxe)	1
21	64645	Knob (Gear Shift)	1
22	64645	Knob (Clutch)	1
23	64418-1	Handle - Clutch (Painted)	1
24	64418-2	Handle - Clutch (Deluxe)	1
25	SC-11-93	Mach. Screw 5/16-18 x 3/4 Fil.Hd.	4
26	WL-3-43	Lockwasher 5/16 Light	4
27	64830	Shaft - Shifter	1
28	24228	Yoke - Lower Shifting	1
29	PC-3-24	Cotter Pin 1/16 x 1 1/2	1

M802/V1401 REPLACEMENT PARTS



**MOTOR UNIT
(M802 SERIES)**

ILLUS. PL-18002	PART NO.	NAME OF PART	AMT.
1	ML-40508	Motor (Give Elec. Spec.)	1
2	SC-36-60	Cap Screw 3/8-16 x 1 1/4 Hex Hd.	2
3	WL-4-2	Lockwasher 3/8 Light	2
4	9007	Shim - Motor	AR
5	WL-4-2	Lockwasher 3/8 Light	2
6	SC-36-57	Cap Screw 3/8-16 x 1 1/4 Hex Hd.	2
7	118816	Spacer	1
8	120676	Drive Gear (Flexa-Gear)(24T)(60 Hz.)	1
9	120677	Drive Gear(Flexa-Gear)(27T)(50 Hz.)	1
10	109070-19	Key - 1/4 x 1/4 x 1 1/2	1
11	65107	Flexa-Gear	1
12	WS-18-41	Washer	1
13	WL-4-2	Lockwasher 3/8 Light	1
14	SC-36-52	Cap Screw 3/8-16 x 3/4 Hex Hd.	1
15	120680	Flange - Pulley (60 Hz.)	1
16	120681	Flange - Pulley (50 Hz.)	1

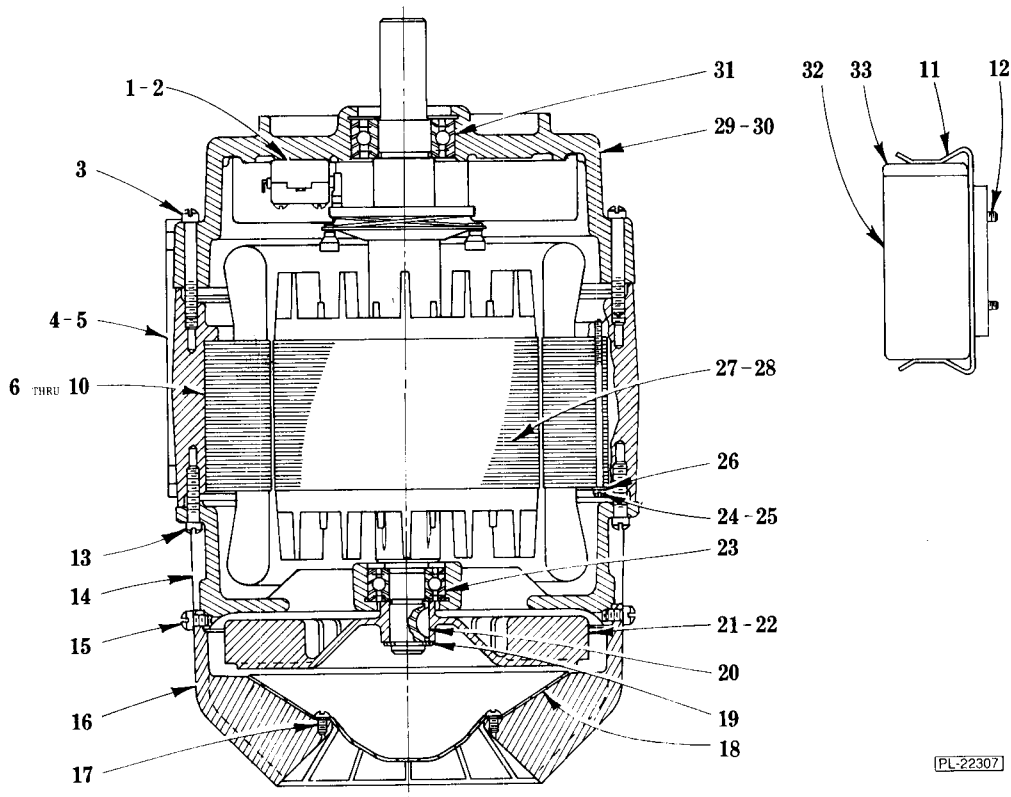


PL-18000

MOTOR UNIT (V1401 SERIES)

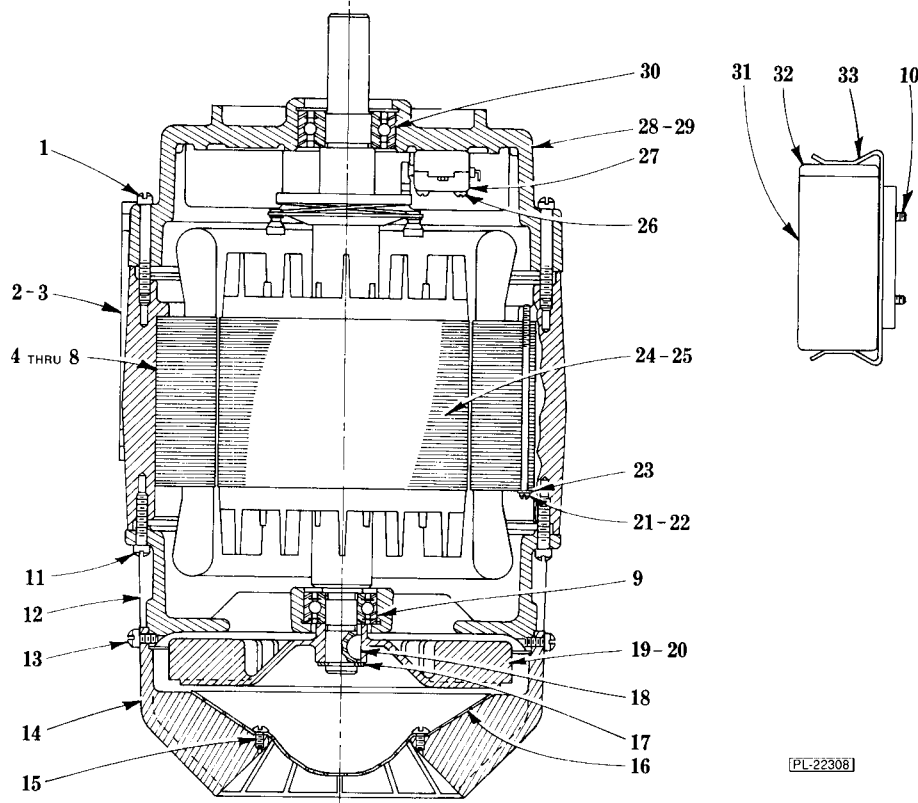
ILLUS. PL-18000	PART NO.	NAME OF PART	AMT.
	1	Cap Screw $\frac{3}{8}$ -16 x $\frac{3}{4}$ Hex Hd.	1
	2	Lockwasher $\frac{3}{8}$ Light	1
	3	Washer	1
	4	Flexa-Gear	1
	5	Drive Gear (Flexa-Gear)(20T)(60 Hz.)	1
	6	Drive Gear (Flexa-Gear)(23T)(50 Hz.)	1
	7	Flange - Pulley (60 Hz.)	1
	8	Flange - Pulley (50 Hz.)	1
	9	Motor (Give Elec. Spec.)	1
	10	Cap Screw $\frac{3}{8}$ -16 x 4 Hex Hd.	2
	11	Lockwasher $\frac{3}{8}$ Light	2
	12	Cap Screw $\frac{3}{8}$ -16 x $3\frac{3}{4}$ Hex Hd.	2
	13	Spacer - Motor (60 Hz.)	4
	14	Spacer - Motor (50 Hz.)	4
	15	Shim - Motor	AR
	16	Lockwasher $\frac{3}{8}$ Light	2
	17	Full Nut $\frac{3}{8}$ -16 Hex	2
	18	Spacer	1
	19	Key - $\frac{1}{4}$ x $\frac{1}{4}$ x $1\frac{1}{2}$	1

M802/V1401 REPLACEMENT PARTS



**MOTOR PARTS
(M802 SERIES)**

ILLUS. PL-22307	PART NO.	NAME OF PART	AMT.
1	SC-9-85	Mach. Screw 6-32 x 1 1/4 Rd. Hd. (1 Ph.)	4
2	117548	Switch - Starting (Stationary Part)(1 Ph.)	1
3	SC-38-55	Cap Screw 5/16-18 x 2 1/4 Fil. Hd.	4
4	294383	Field Ring	1
5	6651	Bushing - Insulating	1
6	65477-152-1	Stator Assy.(200 V.,60 Hz.,1 Ph.)	1
7	65477-152-2	Stator Assy.(230 V.,60 Hz.,1 Ph.)	1
8	65478-154-1	Stator Assy.(200 V.,60 Hz.,3 Ph.)	1
9	65478-155-1	Stator Assy.(230/460 V.,60 Hz.,3 Ph.)	1
10	65478-156-1	Stator Assy.(220/380/415 V.,50 Hz.,3 Ph.)	1
11	66621-2	Bracket - Capacitor (1 Ph.)	2
12	SD-29-6	Self-Tapping Screw 10-24 x 1/2 Phil. Flat Hd., Type F (1 Ph.)	4
13	SC-11-98	Mach. Screw 5/16-18 x 1 1/4 Fil. Hd.	4
14	64372	Bracket - Bearing (Fan End)	1
15	SC-12-45	Mach. Screw 1/4-20 x 3/8 Fil. Hd.	2
16	64379	Housing - Blower	1
17	SC-8-9	Mach. Screw 10-24 x 3/8 Rd. Hd.	4
18	64501	Cone - Blower	1
19	RR-4-6	Retaining Ring	1
20	KW-3-10	Key - 606 Woodruff	1
21	275183	Fan - Ventilating	1
22	SC-47-12	Set Screw 1/4-20 x 3/8 Soc. Hdls., Cup Pt.	2
23	BB-16-37	Ball Bearing - NTN #63204LL	1
24	SC-12-62	Mach. Screw 10-32 x 4 Fil. Hd. (1 Ph.)	8
25	SC-8-31	Mach. Screw 10-32 x 3 1/2 Rd. Hd. (3 Ph.)	8
26	WS-2-15	Washer	8
27	22275-219	Rotor Assy.(1 Ph.)	1
28	15747-292	Rotor Assy.(3 Ph.)	1
29	117547-2	Bracket - Bearing (Pulley End)(1 Ph.)	1
30	117547-1	Bracket - Bearing (Pulley End)(3 Ph.)	1
31	BB-17-34	Ball Bearing - Fafnir #W206KLL	1
32	70487-9	Capacitor (1 Ph.)	2
33	70486-3	End Cap - Capacitor(1 Ph.)	2
	68007	Blower Housing & Cone Assy. (Incls.items 16, 17 & 18)	1

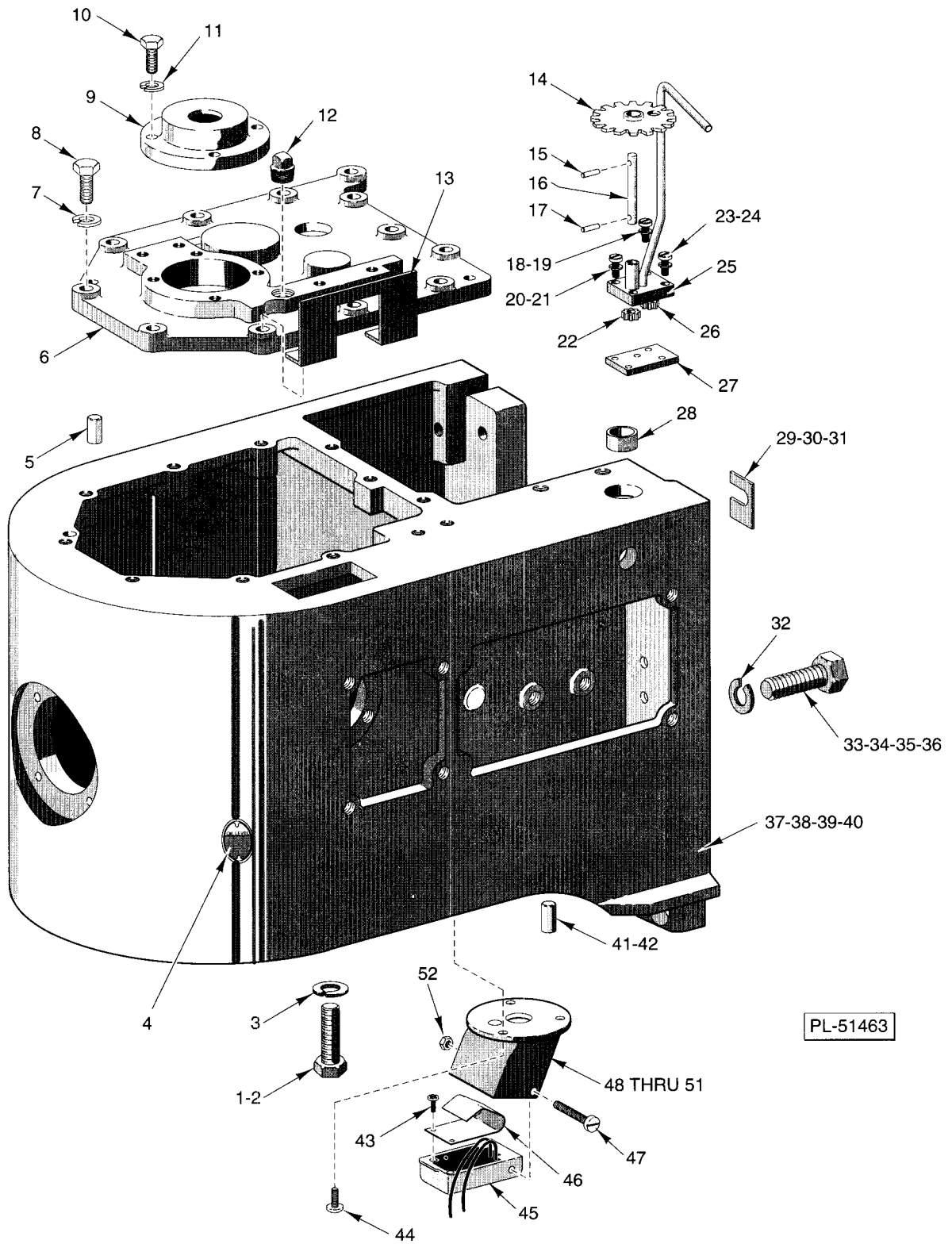


PL-22308

MOTOR PARTS (V1401 SERIES)

ILLUS. PL-22308	PART NO.	NAME OF PART	AMT.
1	SC-38-55	Cap Screw 5/16-18 x 2 1/4 Fil. Hd.	4
2	294384	Field Ring	1
3	6651	Bushing - Insulating (Not Shown)	1
4	65477-151-1	Stator Assy.(200 V.,60 Hz.,1 Ph.)	1
5	65477-151-2	Stator Assy.(230 V.,60 Hz.,1 Ph.)	1
6	65478-151-1	Stator Assy.(200 V.,60 Hz.,3 Ph.)	1
7	65478-152-1	Stator Assy.(230/460 V.,60 Hz.,3 Ph.)	1
8	65478-153-1	Stator Assy.(220/380/415 V.,50 Hz.,3 Ph.)	1
9	BB-16-37	Ball Bearing - NTN #63204LL	1
10	SD-29-6	Self-Tapping Screw 10-24 x 1/2 Flat Hd., Type F (1 Ph.)	4
11	SC-11-98	Mach. Screw 5/16-18 x 1 1/4 Fil. Hd.	4
12	64372	Bracket - Bearing (Fan End)	1
13	SC-12-45	Mach. Screw 1/4-20 x 3/8 Fil. Hd.	2
14	64379	Housing - Blower	1
15	SC-8-9	Mach. Screw 10-24 x 3/8 Rd. Hd.	4
16	64501	Cone - Blower	1
17	RR-4-6	Retaining Ring	1
18	KW-3-10	Key - 606 Woodruff	1
19	275183	Fan - Ventilating	1
20	SC-47-12	Set Screw 1/4-20 x 3/8 Soc. Hdls., Cup Pt.	2
21	SC-11-56	Mach. Screw 10-32 x 4 Fil. Hd. (1 Ph.)	8
22	SC-12-62	Mach. Screw 10-32 x 4 Fil. Hd. (3 Ph.)	8
23	WS-2-15	Washer	8
24	22275-220	Rotor Assy.(1 Ph.)	1
25	15747-293	Rotor Assy.(3 Ph.)	1
26	SC-9-85	Mach. Screw 6-32 x 1 1/4 Rd. Hd. (1 Ph.)	4
27	117548	Switch - Starting (Stationary Part)(1 Ph.)	1
28	117547-2	Bracket - Bearing (Pulley End)(1 Ph.)	1
29	117547-1	Bracket - Bearing	1
30	BB-17-34	Ball Bearing - Fafnir #W206KLL	1
31	70487-17	Capacitor (1 Ph.)	2
32	70486-4	End Cap - Capacitor (1 Ph.)	2
33	66621-2	Bracket - Capacitor (1 Ph.)	2
	68007	Blower Housing & Cone Assy.(Incls.items 14, 15 & 16)	1

M802/V1401 REPLACEMENT PARTS

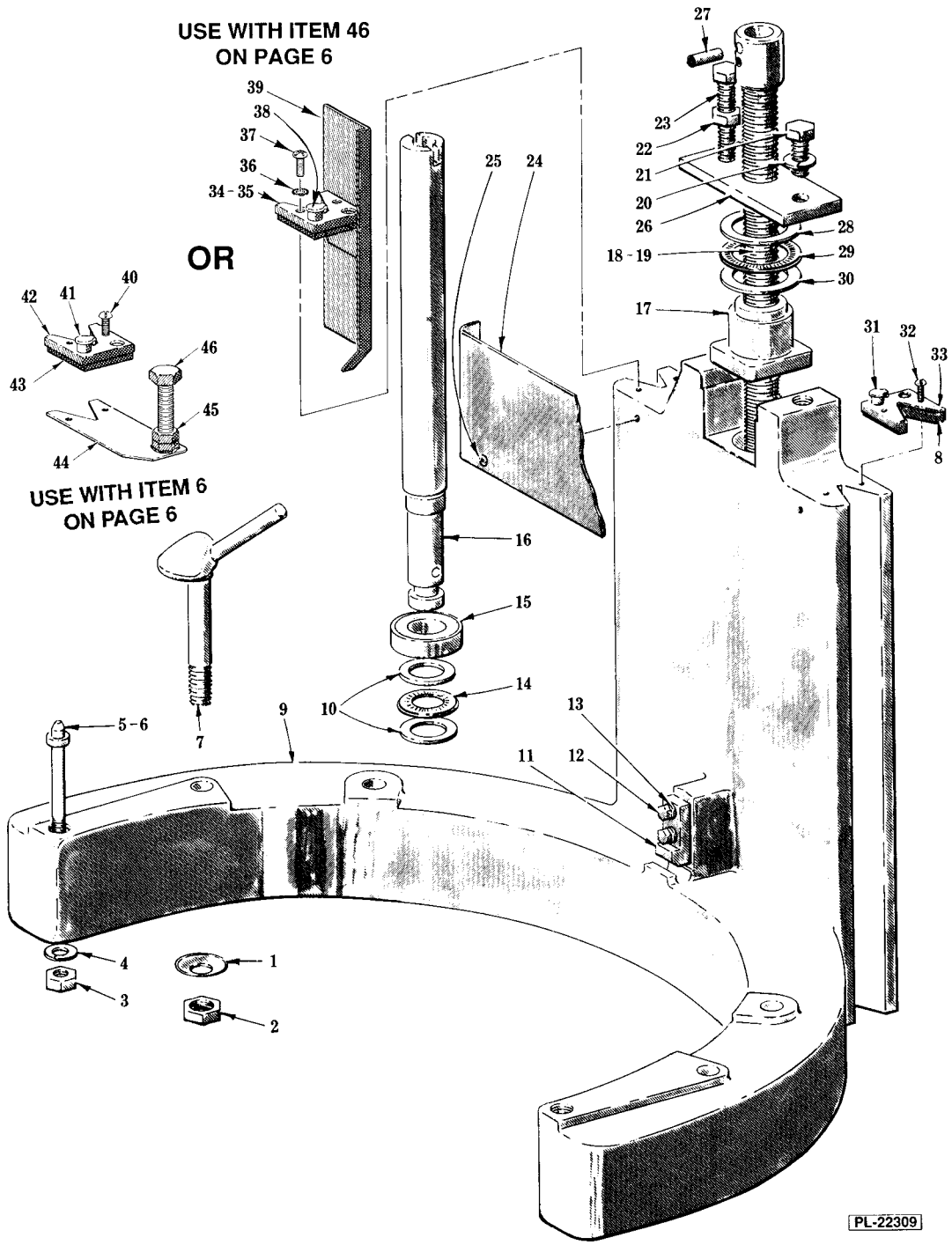


TRANSMISSION CASE UNIT



TRANSMISSION CASE UNIT

ILLUS. PL-51463	PART NO.	NAME OF PART	AMT.
1	SC-62-60	Cap Screw 12-20 x 1 Hex Hd. (Painted)	1
2	SC-37-26	Cap Screw 1/2-20 x 1 Hex Hd. (Deluxe)	1
3	WS-21-21	Washer	1
4	22793	Gauge - Oil Level	1
5	11800-224	Dowel	2
6	106868	Cover - Transmission Case	1
7	WL-4-2	Lockwasher 3/8 Light	11
8	SC-62-41	Cap Screw 5/8-16 x 1 1/2 Hex Hd.	11
9	106867	Retainer - Upper Bearing	1
10	SC-36-27	Cap Screw 5/16-18 x 1 Hex Hd.	4
11	WL-3-48	Lockwasher 5/16 High Collar	4
12	FP-28-13	Plug 1/2 Sq. Hd. Pipe	1
13	73488	Stop - Clutch Arm	1
14	64554	Drive Gear Assy.(25T)	1
15	RP-2-8	Roll Pin 5/64 Dia. x 1 1/16 Lg.	1
16	186272	Shaft - Oil Pump	1
17	538772	Dowel 3/32 Dia. x 1 1/32 Lg.	1
18	SC-11-10	Mach. Screw 8-32 x 3/8 Fil. Hd.	1
19	WL-3-15	Lockwasher 8 Light	1
20	SC-12-47	Mach. Screw 10-32 x 5/8 Fil. Hd.	1
21	WL-3-22	Lockwasher 10 Light	1
22	186270	Gear - Oil Pump (15T)(Slotted)	1
23	SC-12-48	Mach. Screw 10-32 x 7/8 Fil. Hd.	2
24	WL-3-22	Lockwasher 10 Light	2
25	123680	Housing & Tube Assy.	1
26	290277	Gear - Oil Pump (15T)(Slotted)	1
27	64488	Plate - Oil Pump Bottom	1
28	6651	Bushing - Insulating	3
29	72992-1	Shim - Trans. Case (.010 Thk.)	AR
30	72992-2	Shim - Trans. Case (.018 Thk.)	AR
31	72992-3	Shim - Trans. Case (.036 Thk.)	AR
32	WL-4-19	Lockwasher 5/8 Medium	5
33	SC-37-98	Cap Screw 5/8-11 x 1 1/4 Hex Hd. (M802 Series)	3
34	SC-37-93	Cap Screw 5/8-11 x 2 Hex Hd. (M802 Series)	2
35	SC-62-16	Cap Screw 5/8-11 x 3/4 Hex Hd. (V1401 Series)	3
36	SC-62-17	Cap Screw 5/8-11 x 3/2 Hex Hd. (V1401 Series)	2
37	74197-5	Case - Transmission (Painted)(M802 Series)	1
38	74197-6	Case - Transmission (Deluxe)(M802 Series)	1
39	74198-4	Case - Transmission (Painted)(V1401 Series)	1
40	74198-5	Case - Transmission (Deluxe)(V1401 Series)	1
41	11800-180	Dowel (M802 Series)	2
42	11800-142	Dowel (V1401 Series)	2
43	SC-18-50	Mach. Screw 6-32 x 1/4 Pan Hd.	2
44	SC-21-15	Mach. Screw 8-32 x 1/2 Rd Hd, Slotted	3
45	87711-244-2	Housing - Reed Switch	1
46	437435	Spring - Reed Switch	1
47	SC-116-66	Mach. Screw 8-32 x 2 Rd. Hd.	1
48	438124-2	Housing - Switch (Painted)(M802 Series)	1
49	438124-3	Housing - Switch (Deluxe)(M802 Series)	1
50	438051-2	Housing - Switch (Painted)(V1401 Series)	1
51	438051-3	Housing - Switch (Deluxe)(V1401 Series)	1
52	NS-48-11	Lock Nut 8 x 32	1
	290231	Transmission Oil Pump Assy. (Incls.items 14 thru 22,25,26 & 27)	1



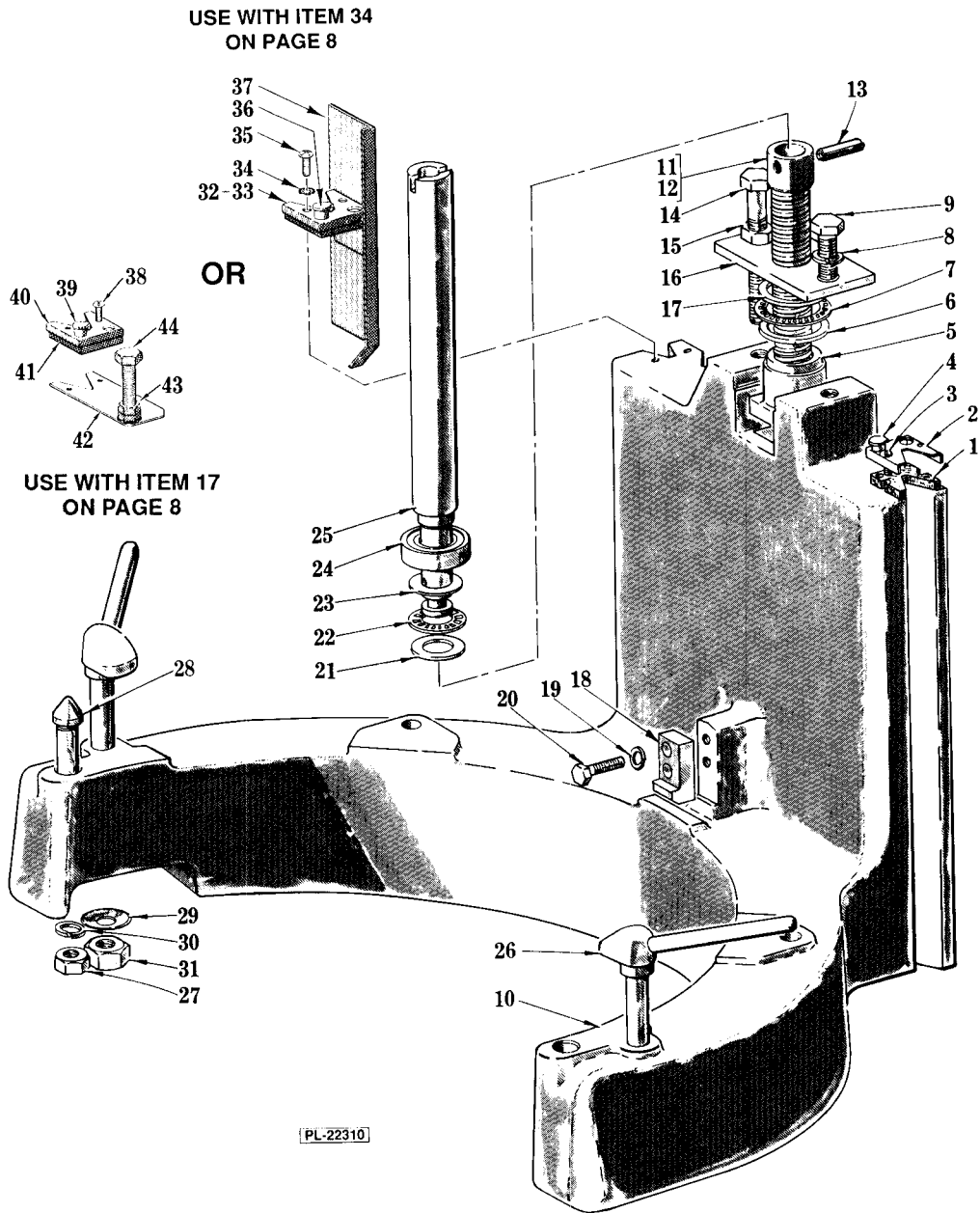
**BOWL SUPPORT UNIT
(M802 SERIES)**



**BOWL SUPPORT UNIT
(M802 SERIES)**

ILLUS. PL-22309	PART NO.	NAME OF PART	AMT.
1	64636	Washer - Bowl Clamp	2
2	NS-46-18	Lock Nut 5/8-11 Hex "Nylok"	2
3	NS-13-30	Full Nut 1/2-13 Hex	2
4	WL-4-12	Lockwasher 1/2 Light	2
5	20979-1	Stud - Bowl Locating	2
6	WS-8-2	Washer	AR
7	65922-17	Bowl Clamp Assy.	2
8	65683	Wiper - Felt	1
9	122929-2	Support - Bowl	1
10	64558	Washer - Trust	2
11	64394	Retainer - Bowl	1
12	SC-36-27	Cap Screw 5/16-18 x 1 Hex Hd.	2
13	WL-3-44	Lockwasher 5/16 Medium	2
14	BN-2-18	Needle Bearing - Torrington #NTA-1423	1
15	BB-15-8	Ball Bearing MRC 105KSZZ-01-ST-A-92-C	1
16	64389	Extension - Lift Screw	1
17	68322	Nut - Bowl Lift	1
18	290367-1	Screw - Bowl Lift (Std.)	1
19	290367-2	Screw - Bowl Lift (Higher than Standard)	1
20	WL-4-13	Lockwasher 1/2 Medium	1
21	SC-36-98	Cap Screw 1/2-13 x 1 1/4 Hex Hd.	1
22	NS-13-30	Full Nut 1/2-13 Hex	1
23	SC-120-80	Stop Screw - Bowl Yoke (Cap Screw 1/2-13 x 3 1/2 Hex Hd.)	1
24	291195	Apron - Inner (Std.)	1
25	SC-10-32	Mach. Screw 8-32 x 5/8 Truss Hd.	2
26	64392	Retainer - Nut	1
27	PS-4-21	Spirol Pin 3/8 Dia. x 1 1/2 Lg.	1
28	68321	Washer - Lift Screw Thrust	1
29	BN-2-11	Needle Bearing - Thrust	1
30	68321	Washer - Lift Screw Thrust	1
31	OG-3-23	Oiler	1
32	SC-7-44	Mach. Screw 8-32 x 5/8 Rd. Hd.	2
33	65682	Retainer - Wiper	1
34	65682	Retainer - Wiper	1
35	65683	Wiper - Felt	1
36	WL-7-7	Lockwasher 8 External Shakeproof	2
37	SC-9-39	Mach. Screw 8-32 x 3/4 Rd. Hd.	2
38	OG-3-23	Oiler	1
39	439116	Bracket - Limit Switch	1
40	SC-7-44	Mach. Screw 8-32 x 5/8 Rd. Hd.	2
41	OG-3-23	Oiler	1
42	65682	Retainer - Wiper	1
43	65683	Wiper - Felt	1
44	438478	Plate - Adjustment	1
45	NS-13-2	Full Nut 1/4-20 Hex	1
46	SC-118-98	Cap Screw 1/4-20 x 2 Hex Hd.	1

M802/V1401 REPLACEMENT PARTS

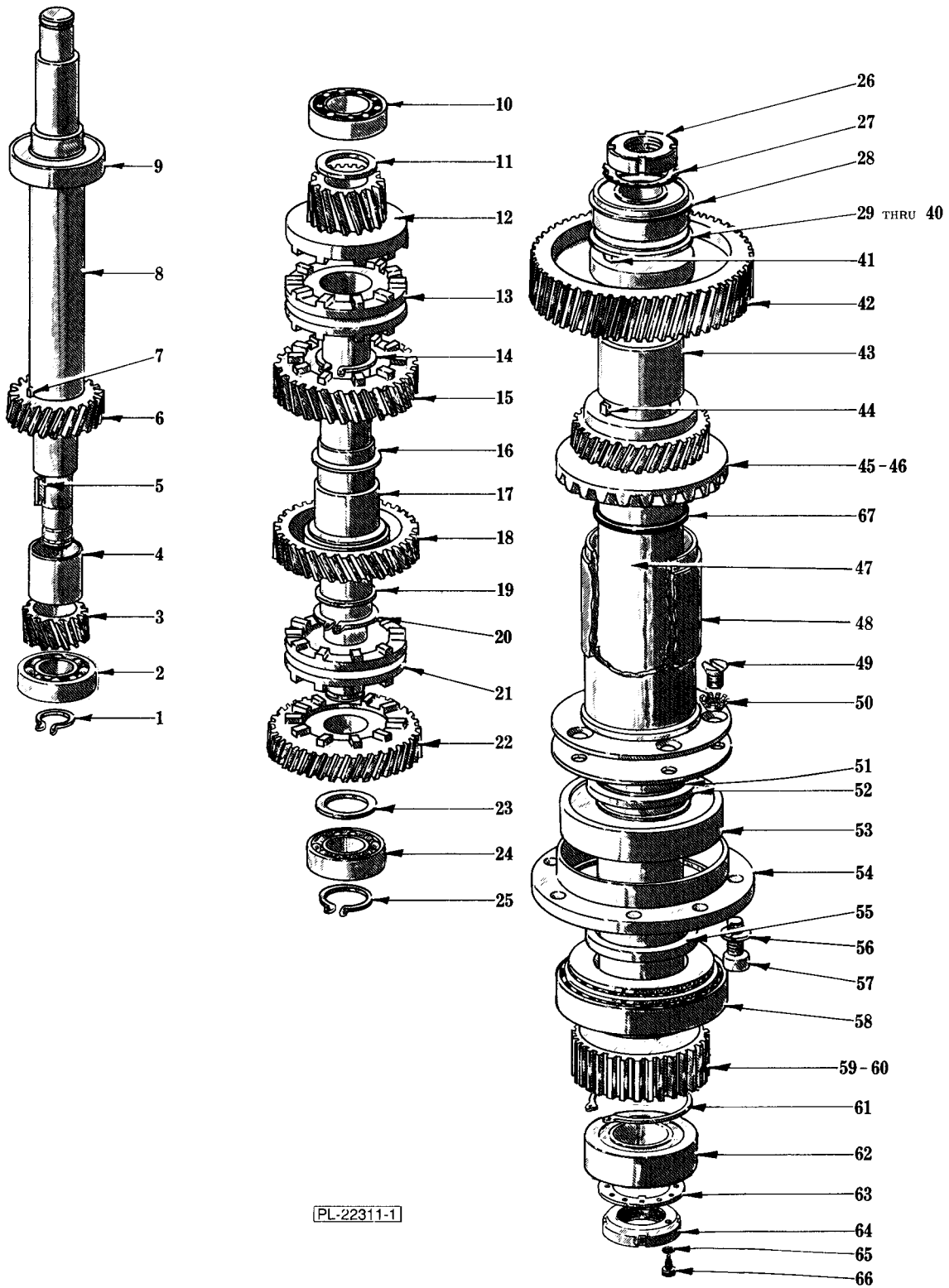


**BOWL SUPPORT UNIT
(V1401 SERIES)**

**BOWL SUPPORT UNIT
(V1401 SERIES)**

ILLUS. PL-22310	PART NO.	NAME OF PART	AMT.
1	65683	Wiper - Felt	2
2	65682	Retainer - Wiper	2
3	SC-7-44	Mach. Screw 8-32 x $\frac{5}{8}$ Rd. Hd.	2
4	OG-3-23	Oiler	2
5	68322	Nut - Bowl Lift	1
6	68321	Washer - Lift Screw Thrust	1
7	BN-2-11	Needle Bearing - Thrust	1
8	WL-4-13	Lockwasher $\frac{1}{2}$ Medium	1
9	SC-36-98	Cap Screw $\frac{1}{2}$ -13 x $1\frac{1}{4}$ Hex Hd.	1
10	122930-2	Support - Bowl	1
11	290367-3	Bowl Lift Screw Assy.(Standard Machine)	1
12	290367-4	Bowl Lift Screw Assy.(17 Higher than Standard)	1
13	PS-4-21	Spirol Pin $\frac{3}{8}$ Dia. x $1\frac{1}{2}$ Lg.	1
14	68443	Stop Screw - Bowl Yoke	1
15	NS-13-30	Full Nut $\frac{1}{2}$ -13 Hex	1
16	67955	Retainer - Nut	1
17	68321	Washer - Lift Screw Thrust	1
18	64394	Retainer - Bowl	1
19	WL-3-44	Lockwasher $\frac{5}{16}$ Medium	2
20	SC-36-27	Cap Screw $\frac{5}{16}$ -18 x 1 Hex Hd.	2
21	64558	Washer - Trust	1
22	BN-2-18	Needle Bearing - Torrington #NTA-1423	1
23	64558	Washer - Trust	1
24	BB-17-39	Ball Bearing - MRC 205 SZZ-01-ST-A-92-C	1
25	64389	Extension - Lift Screw	1
26	65922-17	Bowl Clamp Assy.	2
27	NS-13-30	Full Nut $\frac{1}{2}$ -13 Hex	2
28	19195-1	Stud - Bowl Locating	2
29	64636	Washer - Bowl Clamp	2
30	WL-4-12	Lockwasher $\frac{1}{2}$ Light	2
31	NS-46-18	Lock Nut $\frac{5}{8}$ -11 Hex "Nylok"	2
32	65682	Retainer - Wiper	1
33	65683	Wiper - Felt	1
34	WL-7-7	Lockwasher 8 External Shakeproof	2
35	SC-9-39	Mach. Screw 8-32 x $\frac{3}{4}$ Rd. Hd.	2
36	OG-3-23	Oiler	1
37	439117	Bracket - Limit Switch	1
38	SC-7-44	Mach. Screw 8-32 x $\frac{5}{8}$ Rd. Hd.	2
39	OG-3-23	Oiler	1
40	65682	Retainer - Wiper	1
41	65683	Wiper - Felt	1
42	438478	Plate - Adjustment	1
43	NS-13-2	Full Nut $\frac{1}{4}$ -20 Hex	1
44	SC-118-98	Cap Screw $\frac{1}{4}$ -20 x 2 Hex Hd.	1

M802/V1401 REPLACEMENT PARTS



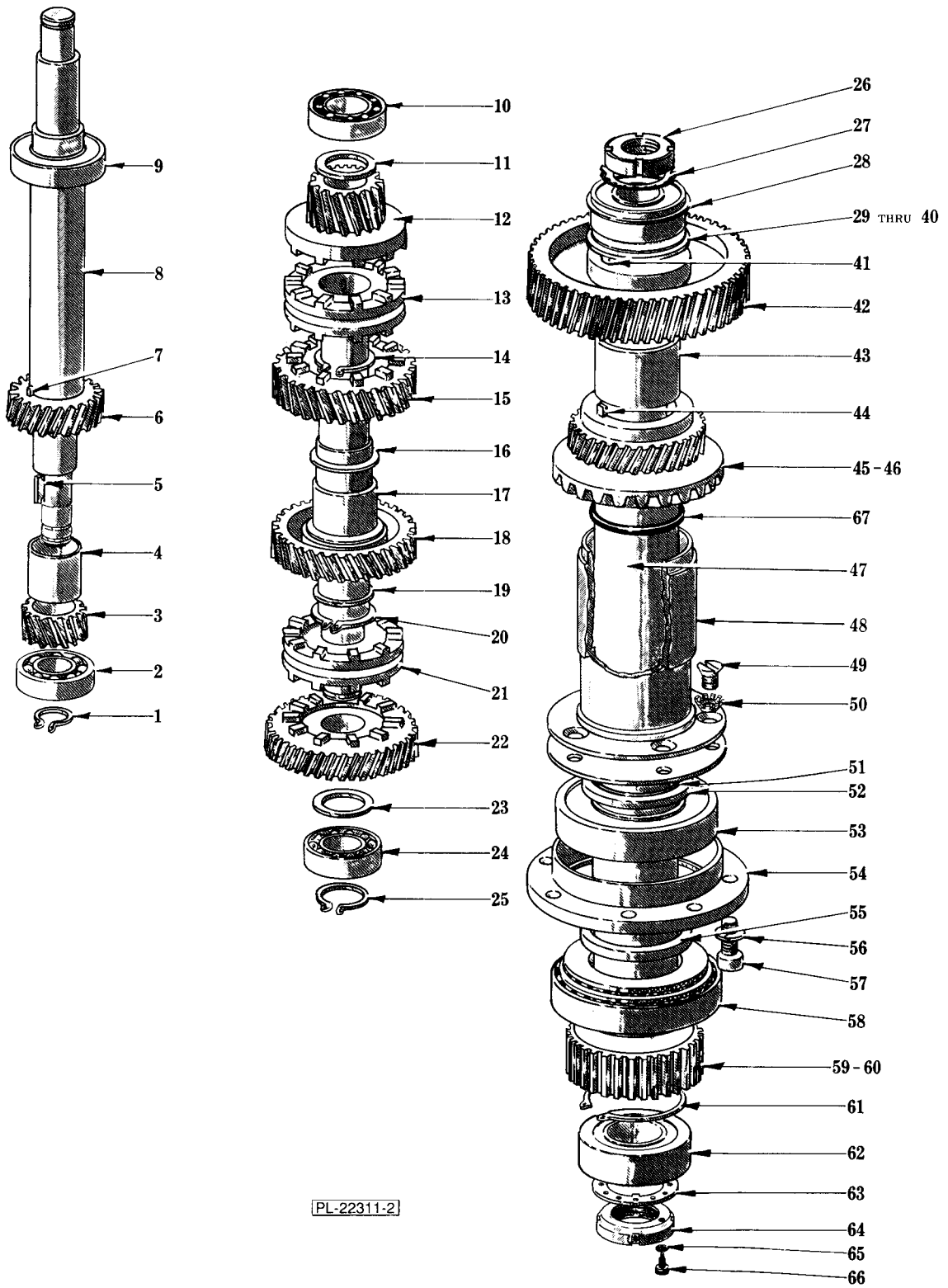
**TRANSMISSION GEAR UNIT
(M802 SERIES)**



**TRANSMISSION GEAR UNIT
(M802 SERIES)**

ILLUS. PL-22311-1	PART NO.	NAME OF PART	AMT.
1	RR-4-7	Retaining Ring	1
2	BB-6-1	Ball Bearing - N.D. #3304	1
3	121382	Gear - Lower Worm Shaft (17T)	1
4	24206	Spacer - Worm Gear Shaft	1
5	120937	Key - Special	1
6	24207	Gear - Upper Worm Shaft (25T)	1
7	64670	Key - Special	1
8	74221	Shaft - Main Drive	1
9	BB-7-46	Ball Bearing - N.D. #7506	1
10	BB-18-33	Ball Bearing - Fafnir #205KF	1
11	24210	Spacer - Clutch Shaft	1
12	24545	Upper Clutch & Upper Gear Assy.(17T)	1
13	24213	Clutch - Shifting	1
14	RR-4-13	Retaining Ring (Truarc)	1
15	64698	Upper Clutch Lower Gear Assy.(35T)	1
16	24216	Washer - Clutch Shaft	1
17	24209	Shaft - Clutch	1
18	24538	Lower Clutch & Upper Gear Assy.(41T)	1
19	60767	Washer - Clutch Shaft	1
20	RR-5-14	Retaining Ring	1
21	24213	Clutch - Shifting	1
22	24539	Lower Clutch & Lower Gear Assy.(49T)	1
23	74222	Spacer - Clutch Shaft (Lower)	1
24	BB-18-21	Ball Bearing - Fafnir #305KD	1
25	RR-5-4	Retaining Ring (Spirolox)	1
26	NS-34-8	Lock Nut - N.D. #N-07	1
27	WL-17-9	Lockwasher - TW107	1
28	BB-9-13	Ball Bearing - MRC-5207KFFG	1
29	106888-1	Shim - Planetary Shaft (.141 Thk.)	AR
30	106888-2	Shim - Planetary Shaft (.144 Thk.)	AR
31	106888-3	Shim - Planetary Shaft (.147 Thk.)	AR
32	106888-4	Shim - Planetary Shaft (.150 Thk.)	AR
33	106888-5	Shim - Planetary Shaft (.153 Thk.)	AR
34	106888-6	Shim - Planetary Shaft (.156 Thk.)	AR
35	106888-7	Shim - Planetary Shaft (.159 Thk.)	AR
36	106888-8	Shim - Planetary Shaft (.162 Thk.)	AR
37	106888-9	Shim - Planetary Shaft (.165 Thk.)	AR
38	106888-10	Shim - Planetary Shaft (.168 Thk.)	AR
39	106888-11	Shim - Planetary Shaft (.171 Thk.)	AR
40	106888-12	Shim - Planetary Shaft (.174 Thk.)	AR
41	12430-215	Key	1
42	24225	Gear - Upper Planetary Shaft (53T)	1
43	64710	Spacer - Planetary Shaft	1
44	12430-211	Key	1
45	64421	Gear - Cluster (33T) & (25T Bevel)(Use with Attachment Hub)	1
46	291603-2	Gear (33T)(Use W/O Attachment Hub)	1
47	106889	Shaft - Planetary	1
48	64427	Chimney & Flange Assy.	1
49	SC-14-75	Mach. Screw ¼-20 x ¾ Flat Hd.	5
50	WL-9-8	Lockwasher ¼ Csk. Ext. Shakeproof	5
51	67500-102	"O" Ring	1
52	64467	Spacer - Lower Bearing Upper	1
53	BB-7-7	Ball Bearing - MRC #211 S-ZZ	1
54	64423	Carrier - Lower Bearing	1
55	64468	Spacer - Lower Bearing Lower	1
56	WL-3-48	Lockwasher 5/16 High Collar	6
57	SC-40-14	Cap Screw 5/16-18 x ¾ Soc. Fil. Hd.	6
58	BR-2-14	Roller Bearing - Cup & Cone Assy.	1
59	64386	Sun Gear (23T)	1
60	12430-210	Key - 5/16 x 5/16 x 1 1/8	1
61	RR-4-14	Retaining Ring	1
62	BR-2-15	Roller Bearing - Cup & Cone Assy.	1
63	64982	Washer - Tongue	1
64	65275	Lock Nut - Special Bearing	1
65	WL-3-15	Lockwasher 8 Light	1
66	65277	Cap Screw - Special	1
67	67500-22	"O" Ring	1

M802/V1401 REPLACEMENT PARTS



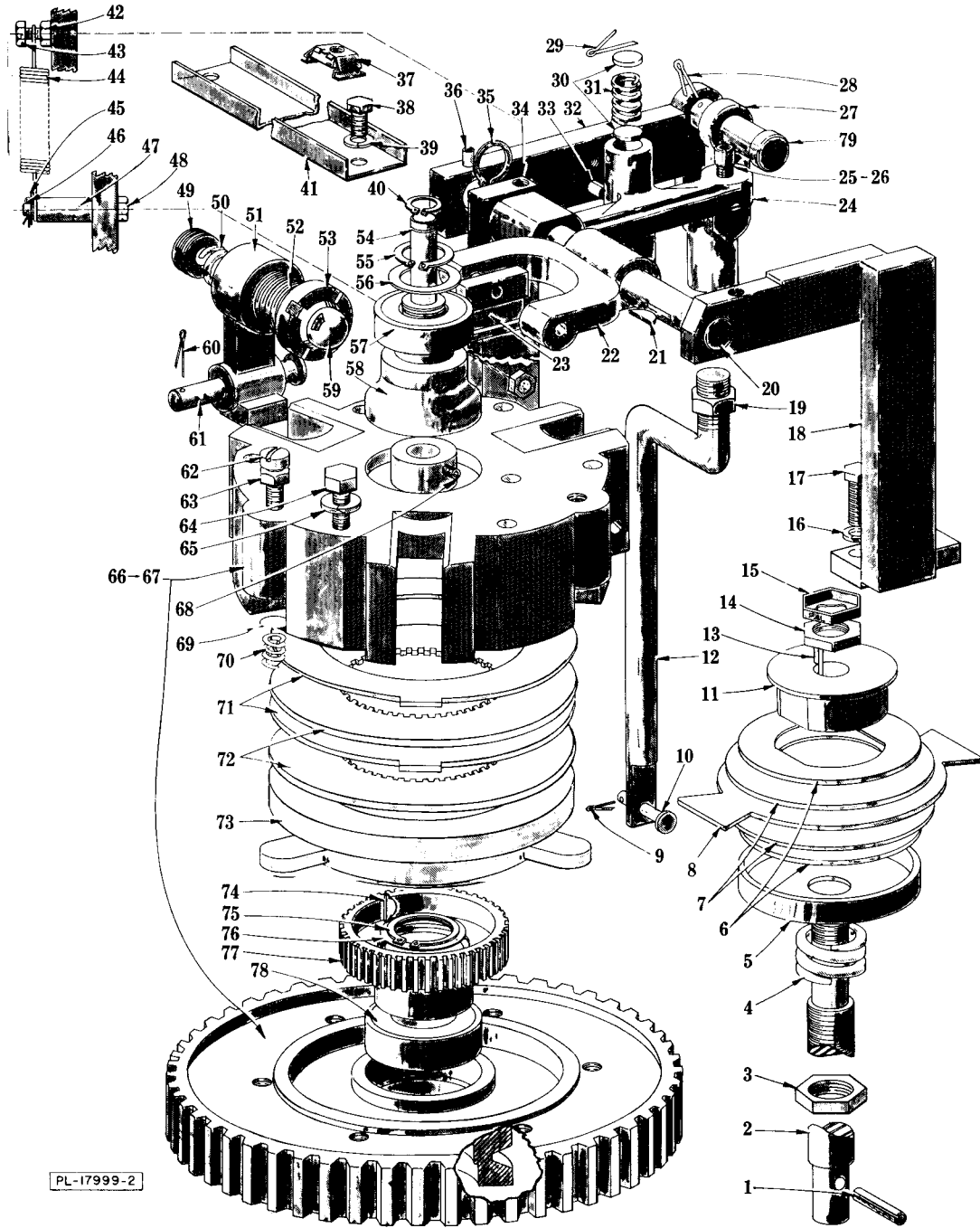
**TRANSMISSION GEAR UNIT
(V1401 SERIES)**



**TRANSMISSION GEAR UNIT
(V1401 SERIES)**

ILLUS. PL-22311-2	PART NO.	NAME OF PART	AMT.
1	RR-4-7	Retaining Ring	1
2	BB-10-16	Ball Bearing - NTN #5304	1
3	121382	Gear - Lower Worm Shaft (17T)	1
4	24206	Spacer - Worm Gear Shaft	1
5	120937	Key - Special	1
6	24207	Gear - Upper Worm Shaft (25T)	1
7	64670	Key - Special	1
8	74221	Shaft - Main Drive	1
9	BB-7-46	Ball Bearing - N.D. #7506	1
10	BB-8-30	Ball Bearing - Fafnir #205W	1
11	24210	Spacer - Clutch Shaft	1
12	24545	Upper Clutch & Upper Gear Assy.(17T)	1
13	24213	Clutch - Shifting	1
14	RR-4-13	Retaining Ring (Truarc)	1
15	64698	Upper Clutch Lower Gear Assy.(35T)	1
16	24216	Washer - Clutch Shaft	1
17	24209	Shaft - Clutch	1
18	24538	Lower Clutch & Upper Gear Assy.(41T)	1
19	60767	Washer - Clutch Shaft	1
20	RR-5-14	Retaining Ring	1
21	24213	Clutch - Shifting	1
22	24539	Lower Clutch & Lower Gear Assy.(49T)	1
23	74222	Spacer - Clutch Shaft (Lower)	1
24	BB-18-22	Ball Bearing - Fafnir #7305W	1
25	RR-5-4	Retaining Ring (Spirolox)	1
26	NS-34-8	Lock Nut - N.D. #N-07	1
27	WL-17-9	Lockwasher - TW107	1
28	BB-9-13	Ball Bearing - MRC-5207KFFG	1
29	106888-1	Shim - Planetary Shaft (.141 Thk.)	AR
30	106888-2	Shim - Planetary Shaft (.144 Thk.)	AR
31	106888-3	Shim - Planetary Shaft (.147 Thk.)	AR
32	106888-4	Shim - Planetary Shaft (.150 Thk.)	AR
33	106888-5	Shim - Planetary Shaft (.153 Thk.)	AR
34	106888-6	Shim - Planetary Shaft (.156 Thk.)	AR
35	106888-7	Shim - Planetary Shaft (.159 Thk.)	AR
36	106888-8	Shim - Planetary Shaft (.162 Thk.)	AR
37	106888-9	Shim - Planetary Shaft (.165 Thk.)	AR
38	106888-10	Shim - Planetary Shaft (.168 Thk.)	AR
39	106888-11	Shim - Planetary Shaft (.171 Thk.)	AR
40	106888-12	Shim - Planetary Shaft (.174 Thk.)	AR
41	12430-215	Key	1
42	24225	Gear - Upper Planetary Shaft (53T)	1
43	67891	Spacer - Planetary Shaft	1
44	12430-209	Key	1
45	67894	Gear - Cluster (33T) & (25T)(Use with Attachment Hub)	1
46	291607-2	Gear (33T)(Use W/O Attachment Hub)	1
47	106890	Shaft - Planetary	1
48	67897	Chimney & Flange Assy.	1
49	SC-14-75	Mach. Screw ¼-20 x ¾ Flat Hd.	5
50	WL-9-8	Lockwasher ¼ Csk. Ext. Shakeproof	5
51	67500-102	"O" Ring	1
52	67900	Spacer - Lower Bearing Upper	1
53	BB-8-32	Ball Bearing - MRC #212-MFZ	1
54	67896	Carrier - Lower Bearing	1
55	67901	Spacer - Lower Bearing Lower	1
56	WL-3-48	Lockwasher ¾ High Collar	6
57	SC-40-14	Cap Screw ⅝-18 x ¾ Soc. Fil. Hd.	6
58	BR-2-31	Roller Bearing - Cup & Cone Assy.	1
59	67904	Sun Gear (23T)	1
60	12430-161	Key - Sun Gear	1
61	RR-11-96	Retaining Ring	1
62	BR-2-15	Roller Bearing - Cup & Cone Assy.	1
63	64982	Washer - Tongue	1
64	65275	Lock Nut - Special Bearing	1
65	WL-3-15	Lockwasher 8 Light	1
66	65277	Cap Screw - Special	1
67	67500-118	"O" Ring	1

M802/V1401 REPLACEMENT PARTS



PL-17999-2

CLUTCH AND BRAKE UNIT (M802 SERIES)

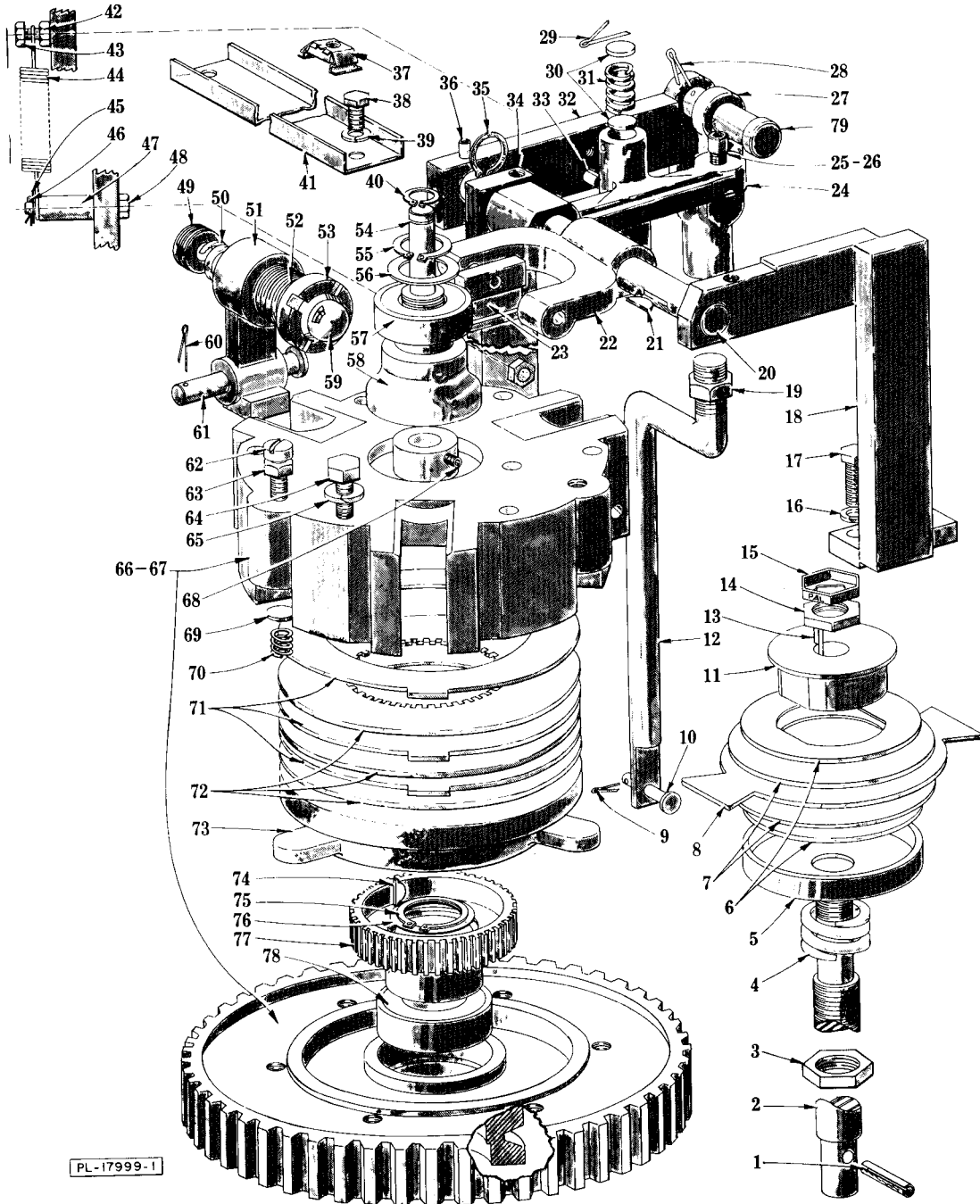
ILLUS. PL-17999-2	PART NO.	NAME OF PART	AMT.
1	RP-2-27	Roll Pin $\frac{1}{16}$ x 1 Lg.	1
2	64483	Shaft - Brake	1
3	NS-17-49	Jam Nut $\frac{1}{4}$ -16 Hex	1
4	10107	Spring - Brake	1
5	64481	Plate - Pressure	1
6	22489	Disc - Friction	2
7	64480	Washer - Friction	2
8	64482	Plate - Engaging	1
9	PC-3-32	Cotter Pin $\frac{3}{32}$ x $\frac{1}{2}$	1
10	64632	Pin - Connector	1
11	64479	Hub - Brake	1



**CLUTCH AND BRAKE UNIT (Cont.)
(M802 SERIES)**

ILLUS. PL-17999-2	PART NO.	NAME OF PART	AMT.
12	106900	Rod - Clutch	1
13	12430-24	Key	1
14	NS-17-40	Jam Nut 5/8-18 Hex	1
15	NS-35-21	Special Nut 5/8-18 "Palnut"	1
16	WL-3-44	Lockwasher 5/16 Medium	4
17	SC-36-27	Cap Screw 5/16-18 x 1 Hex Hd.	4
18	64527	Clutch Shaft Support Assy.(L.H.)	1
19	NS-13-35	Full Nut 1/2-20 Hex	1
20	439316	Shaft - Clutch	1
21	12430-48	Key - 3/16 Sq. x 3/4 Lg.	1
22	64532	Yoke - Clutch Shifting	1
23	103655	Clutch Bearing Retainer Assy.	2
24	68529	Brake Arm Assy.(Incls.items 25 & 26)	1
25	SC-40-22	Cap Screw 3/8-16 x 1 Soc. Hd.	1
26	NS-13-22	Full Nut 3/8-16 Hex	1
27	19173-1	Clevis - Clutch Rod	1
28	PC-3-34	Cotter Pin 3/32 x 3/4	1
29	PC-3-38	Cotter Pin 3/32 x 1 1/4	1
30	11352	Disc - Spring	2
31	7433-1	Spring - Brake Arm	1
32	103654	Bracket and Clutch Arm Assy.(Incls.item 33)	1
33	PS-4-15	Spirol Pin 1/4 Dia. x 1 1/8 Lg.	1
34	64526	Clutch Shaft Support Assy.(R.H.)	1
35	RR-4-18	Retaining Ring	2
36	PS-4-15	Spirol Pin 1/4 Dia. x 1 1/8 Lg.	1
37	64652	Nut - Special	1
38	SC-36-1	Cap Screw 1/4-20 x 3/8 Hex Hd.	2
39	WL-3-36	Lockwasher 1/4 Light	2
40	RR-4-17	Retaining Ring	1
41	64528	Channel - Top Anchoring	1
42	NS-13-1	Full Nut 1/4-20 Hex	1
43	SC-36-4	Cap Screw 1/4-20 x 3/4 Hex Hd.	1
44	65084-1	Spring - Clutch Linkage	1
45	WS-3-20	Washer	1
46	PC-3-32	Cotter Pin 3/32 x 1/2	1
47	65122	Stud - Spring Mounting	1
48	NS-17-6	Jam Nut 5/16-18 Hex	1
49	7343	Screw - Hollow	3
50	8827	Spring - Ball Operating	3
51	64430	Arm - Clutch	3
52	103652	Clutch Spring Screw Assy.(Incls.items 49,50,51,53 & 59)	3
53	7344	Lock Nut	3
54	72558	Post - Guide	1
55	RR-4-7	Retaining Ring	1
56	WS-12-41	Washer	1
57	BB-15-3	Ball Bearing - N.D.#773LO4	1
58	64529	Cam - Clutch Operating	1
59	BA-2-23	Ball 1/2 Dia.	3
60	PC-3-34	Cotter Pin 3/32 x 3/4	3
61	64631	Pin - Clutch Arm Pivot	3
62	SC-12-2	Mach. Screw 5/16-18 x 1 1/2 Fil. Hd.	3
63	NS-17-8	Jam Nut 5/16-18 Hex	3
64	SC-37-96	Cap Screw 5/16-18 x 2 3/4 Hex Hd.	6
65	WL-3-44	Lockwasher 5/16 Medium	6
66	110702	Driven Gear (54T) & Clutch Arm Plate (60 Hz.)(Incls.items 64 & 65)	1
67	110700	Driven Gear (51T) & Clutch Arm Plate (50 Hz.)(Incls.items 64 & 65)	1
68	SC-64-3	Set Screw 1/4-28 x 1/4 Soc. Hdls.,Cup Pt."Nylok"	1
69	11352	Disc - Spring	3
70	18046	Spring - Release	3
71	64432	Disc - Outer	2
72	64433	Disc - Inner	2
73	64429-1	Plate - Pressure	1
74	64670	Key - Special	1
75	RR-4-9	Retaining Ring	1
76	WS-13-44	Washer - Shim	2
77	64434	Hub - Spline	1
78	BB-15-8	Ball Bearing MRC 105KSZZ-01-ST-A-92-C	3
79	19256-1	Pin - Clevis	1

M802/V1401 REPLACEMENT PARTS



**CLUTCH AND BRAKE UNIT
(V1401 SERIES)**

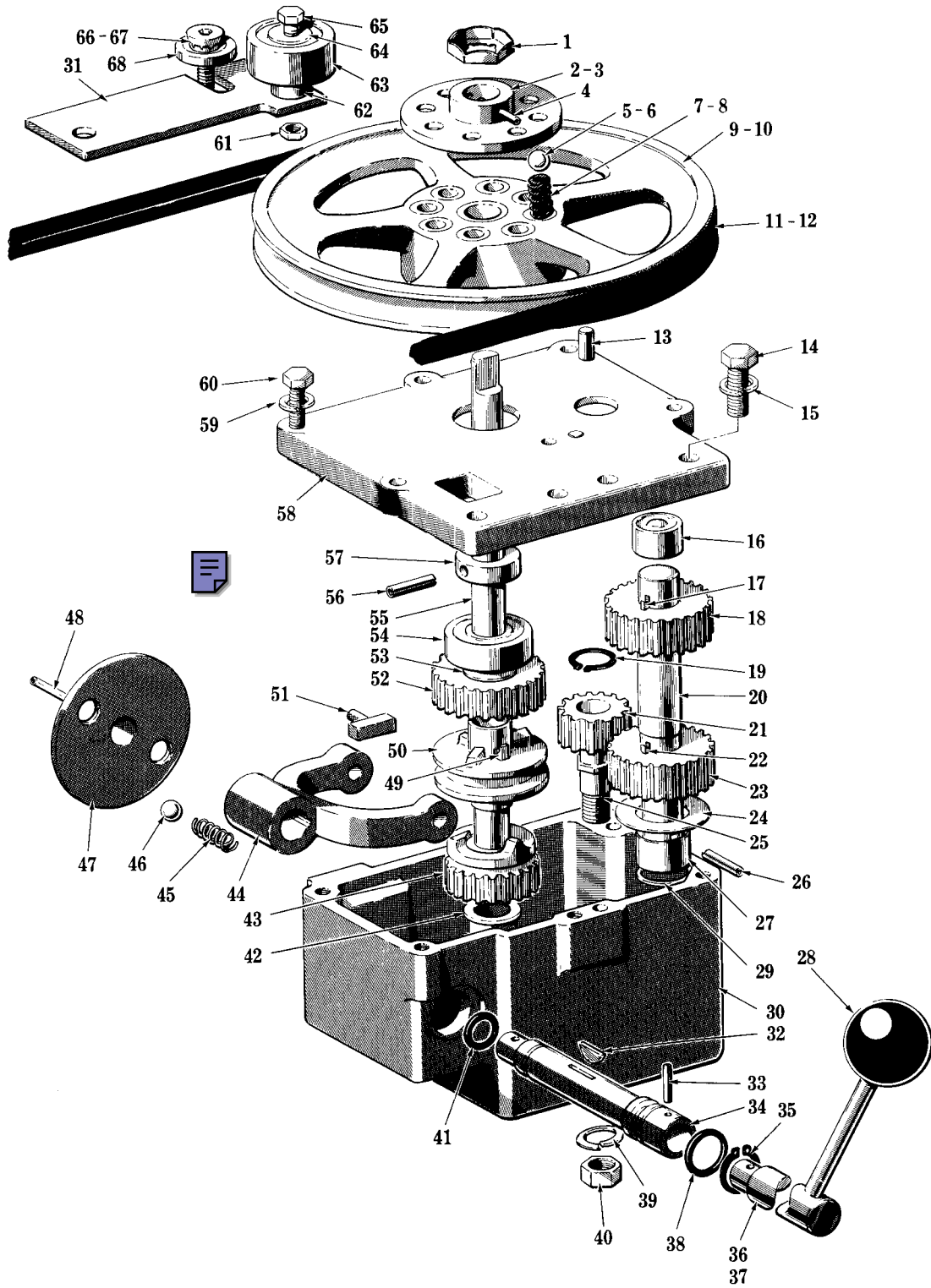
ILLUS. PL-17999-1	PART NO.	NAME OF PART	AMT.
1	RP-2-27	Roll Pin $\frac{5}{16}$ x 1 Lg.	1
2	64483	Shaft - Brake	1
3	NS-17-49	Jam Nut $\frac{1}{2}$ -16 Hex	1
4	10107	Spring - Brake	1
5	64481	Plate - Pressure	1
6	22489	Disc - Friction	2
7	64480	Washer - Friction	2
8	64482	Plate - Engaging	1
9	PC-3-32	Cotter Pin $\frac{3}{32}$ x $\frac{1}{2}$	1
10	64632	Pin - Connector	1
11	64479	Hub - Brake	1



**CLUTCH AND BRAKE UNIT
(V1401 SERIES)**

ILLUS. PL-17999-1	PART NO.	NAME OF PART	AMT.
12	106900	Rod - Clutch	1
13	12430-24	Key	1
14	NS-17-40	Jam Nut 5/8-18 Hex	1
15	NS-35-21	Special Nut 5/8-18 "Palnut"	1
16	WL-3-44	Lockwasher 5/16 Medium	4
17	SC-36-27	Cap Screw 5/16-18 x 1 Hex Hd.	4
18	64527	Clutch Shaft Support Assy.(L.H.)	1
19	NS-13-35	Full Nut 1/2-20 Hex	1
20	439316	Shaft - Clutch	1
21	12430-48	Key - 3/16 Sq. x 3/4 Lg.	1
22	64532	Yoke - Clutch Shifting	1
23	103655	Clutch Bearing Retainer Assy.	2
24	68529	Brake Arm Assy.(Incls.items 25 & 26)	1
25	SC-40-22	Cap Screw 3/8-16 x 1 Soc. Hd.	1
26	NS-13-22	Full Nut 3/8-16 Hex	1
27	19173-1	Clevis - Clutch Rod	1
28	PC-3-34	Cotter Pin 3/32 x 3/4	1
29	PC-3-38	Cotter Pin 3/32 x 1 1/4	1
30	11352	Disc - Spring	2
31	7433-1	Spring - Brake Arm	1
32	103654	Bracket and Clutch Arm Assy.(Incls.item 33)	1
33	PS-4-15	Spirol Pin 1/4 Dia. x 1 1/8 Lg.	1
34	64526	Clutch Shaft Support Assy.(R.H.)	1
35	RR-4-18	Retaining Ring	2
36	PS-4-15	Spirol Pin 1/4 Dia. x 1 1/8 Lg.	1
37	64652	Nut - Special	1
38	SC-36-1	Cap Screw 1/4-20 x 3/8 Hex Hd.	2
39	WL-3-36	Lockwasher 1/4 Light	2
40	RR-4-17	Retaining Ring	1
41	64528	Channel - Top Anchoring	1
42	NS-13-1	Full Nut 1/4-20 Hex	1
43	SC-36-4	Cap Screw 1/4-20 x 3/4 Hex Hd.	1
44	65084-1	Spring - Clutch Linkage	1
45	WS-3-20	Washer	1
46	PC-3-32	Cotter Pin 3/32 x 1/2	1
47	65122	Stud - Spring Mounting	1
48	NS-17-6	Jam Nut 5/16-18 Hex	1
49	7343	Screw - Hollow	3
50	8827	Spring - Ball Operating	3
51	64430	Arm - Clutch	3
52	103652	Clutch Spring Screw Assy.(Incls.items 49,50,51,53 & 59)	3
53	7344	Lock Nut	3
54	72558	Post - Guide	1
55	RR-4-7	Retaining Ring	1
56	WS-12-41	Washer	1
57	BB-15-3	Ball Bearing - N.D.#773LO4	1
58	64529	Cam - Clutch Operating	1
59	BA-2-23	Ball 1/2 Dia.	3
60	PC-3-34	Cotter Pin 3/32 x 3/4	3
61	64631	Pin - Clutch Arm Pivot	3
62	SC-12-2	Mach. Screw 5/16-18 x 1 1/2 Fil. Hd.	3
63	NS-17-8	Jam Nut 5/16-18 Hex	3
64	SC-37-96	Cap Screw 5/16-18 x 2 3/4 Hex Hd.	6
65	WL-3-44	Lockwasher 5/16 Medium	6
66	110706	Driven Gear (54T) & Clutch Arm Plate Assy.(60 Hz.)(Incls.items 64 & 65)	1
67	110704	Driven Gear (52T) & Clutch Arm Plate Assy.(50 Hz.)(Incls.items 64 & 65)	1
68	SC-64-3	Set Screw 1/4-28 x 1/4 Soc. Hdls.,Cup Pt."Nylok"	1
69	11352	Disc - Spring	3
70	18046	Spring - Release	3
71	64432	Disc - Outer	3
72	64433	Disc - Inner	3
73	64429-2	Plate - Pressure	1
74	64670	Key - Special	1
75	RR-4-9	Retaining Ring	1
76	WS-13-44	Washer - Shim	2
77	64434	Hub - Spline	1
78	BB-15-8	Ball Bearing MRC 105KSZZ-01-ST-A-92-C	3
79	19256-1	Pin - Clevis	1

M802/V1401 REPLACEMENT PARTS



[PL-22312]

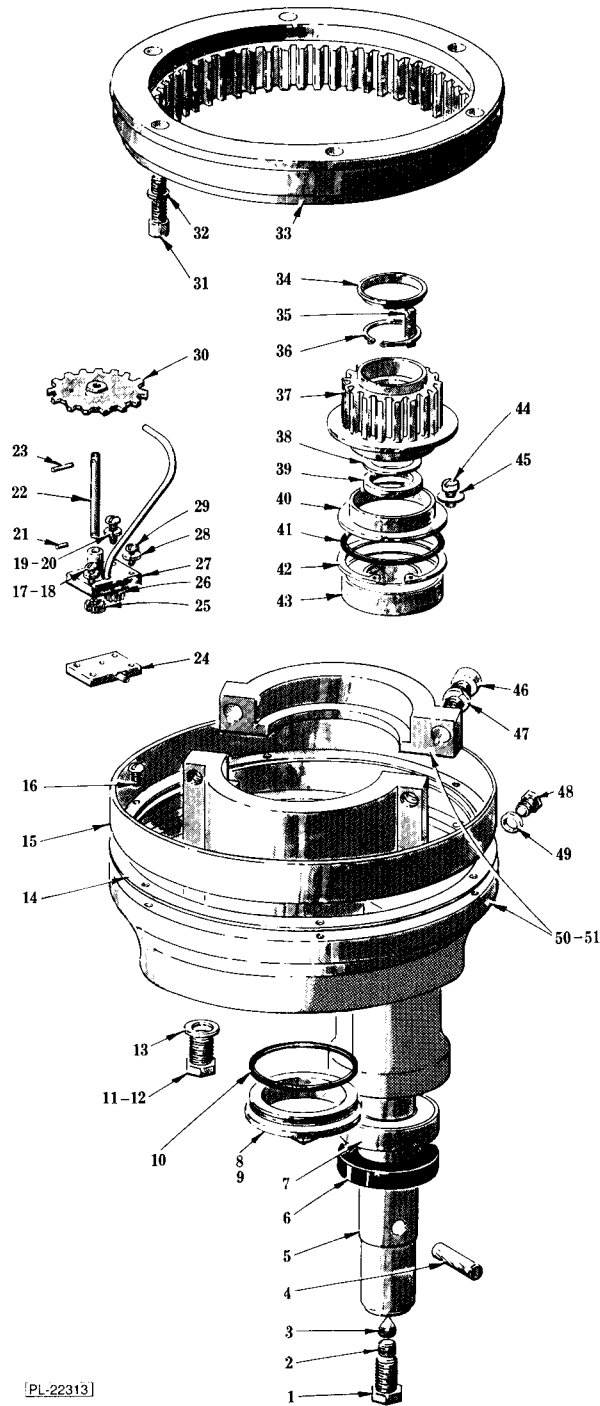
POWER BOWL LIFT UNIT



POWER BOWL LIFT UNIT

ILLUS. PL-22312	PART NO.	NAME OF PART	AMT.
1	NS-35-17	Special Nut $\frac{3}{16}$ -18 "Palnut"	1
2	64564	Hub & Detent Plate Assy. (M802 Series)	1
3	67915	Hub & Detent Plate Assy.(V1401 Series)	1
4	PS-4-9	Spirol Pin $\frac{3}{16}$ Dia. x 1 Lg.	1
5	BA-2-18	Ball $\frac{3}{8}$ Dia.(M802 Series)	6
6	BA-2-18	Ball $\frac{3}{8}$ Dia. (V1401 Series)	8
7	64616	Spring - Slip Clutch Detent (M802 Series)	6
8	64616	Spring - Slip Clutch Detent (V1401 Series)	8
9	64615	V-Pulley & Bushing Assy.(M802 Series)	1
10	67913	V-Pulley & Bushing Assy.(V1401 Series)	1
11	BV-13-18	V-Belt (M802 Series)	1
12	BV-13-17	V-Belt (V1401 Series)	1
13	11800-90	Dowel	2
14	SC-36-54	Cap Screw $\frac{3}{8}$ -16 x 1 Hex Hd.	2
15	WL-4-2	Lockwasher $\frac{3}{8}$ Light	2
16	BN-2-9	Needle Brg. - Torrington #M-1081	1
17	KW-3-3	Key - Woodruff $\frac{1}{8}$ x $\frac{1}{2}$ Lg.	1
18	12699	Gear - Output (23T)	1
19	RR-4-17	Retaining Ring	1
20	64400	Shaft - Output	1
21	64726	Idler Gear Assy.(15T)	1
22	KW-3-3	Key - Woodruff $\frac{1}{8}$ x $\frac{1}{2}$ Lg.	1
23	12699	Gear - Output (23T)	1
24	120407	Washer	1
25	64523	Stud - Idler	1
26	PS-4-15	Spirol Pin $\frac{1}{4}$ Dia. x $1\frac{1}{2}$ Lg.	1
27	BN-2-8	Needle Brg. - Torrington #B-108	1
28	60468	Knob - Gear Shift	1
29	64643	Oil Seal - Bowl Lift	1
30	64395	Gear Box - Bowl Lift	1
31	64508	Plate - Belt Tightener Mounting	1
32	12430-48	Key - $\frac{3}{16}$ Sq. x $\frac{3}{4}$ Lg.	AR
33	PS-5-13	Spirol Pin $\frac{3}{16}$ Dia. x $\frac{7}{8}$ Lg.	1
34	65567	Shaft - Yoke	1
35	RR-4-6	Retaining Ring	1
36	64727-1	Lift Control Shaft & Handle Assy.(Painted)	1
37	64727-3	Lift Control Shaft & Handle Assy.(Chrome Plated)	1
38	67500-7	"O" Ring	1
39	WL-4-13	Lockwasher $\frac{1}{2}$ Medium	1
40	NS-17-27	Jam Nut $\frac{1}{2}$ -13 Hex	1
41	67500-5	"O" Ring	1
42	64641	Bearing - Gear Box	1
43	103642	Lower Clutch Gear & Bearing Assy.(20T)	1
44	64410	Yoke - Reversing	1
45	7009-E	Spring - Detent (6 lb)	2
46	BA-2-18	Ball $\frac{3}{8}$ Dia.	2
47	110876	Hub & Detent Plate Assy.	1
48	PS-4-9	Spirol Pin $\frac{3}{16}$ Dia. x 1 Lg.	1
49	64670	Key - Special	1
50	64399	Clutch	1
51	64403	Shoe - Clutch	2
52	103641	Upper Clutch Gear & Bearing Assy.(25T)	1
53	WS-9-11	Washer	1
54	BB-5-19	Ball Bearing - Fafnir #H202PP	1
55	438000	Shaft - Input	1
56	RP-2-25	Roll Pin $\frac{1}{8}$ Dia. x $\frac{7}{8}$ Lg.	1
57	64405	Collar - Input Shaft	1
58	291045	Cover - Gear Box	1
59	WL-3-37	Lockwasher $\frac{1}{4}$ Medium	6
60	SC-36-5	Cap Screw $\frac{1}{4}$ -20 x $\frac{7}{8}$ Hex Hd.	6
61	NS-13-11	Full Nut $\frac{3}{16}$ -18 Hex	1
62	111669	Bushing - Belt Tightener	1
63	122101	Belt Tightener Assy.	1
64	WS-4-20	Washer	1
65	64507	Special Screw	1
66	SC-61-4	Cap Screw $\frac{5}{16}$ -18 x 1 Soc. Flat Hd.	1
67	WL-9-14	Lockwasher $\frac{3}{16}$ Csk. Ext. Shakeproof	1
68	68839	Washer - Belt Tightener	1

M802/V1401 REPLACEMENT PARTS



[PL-22313]

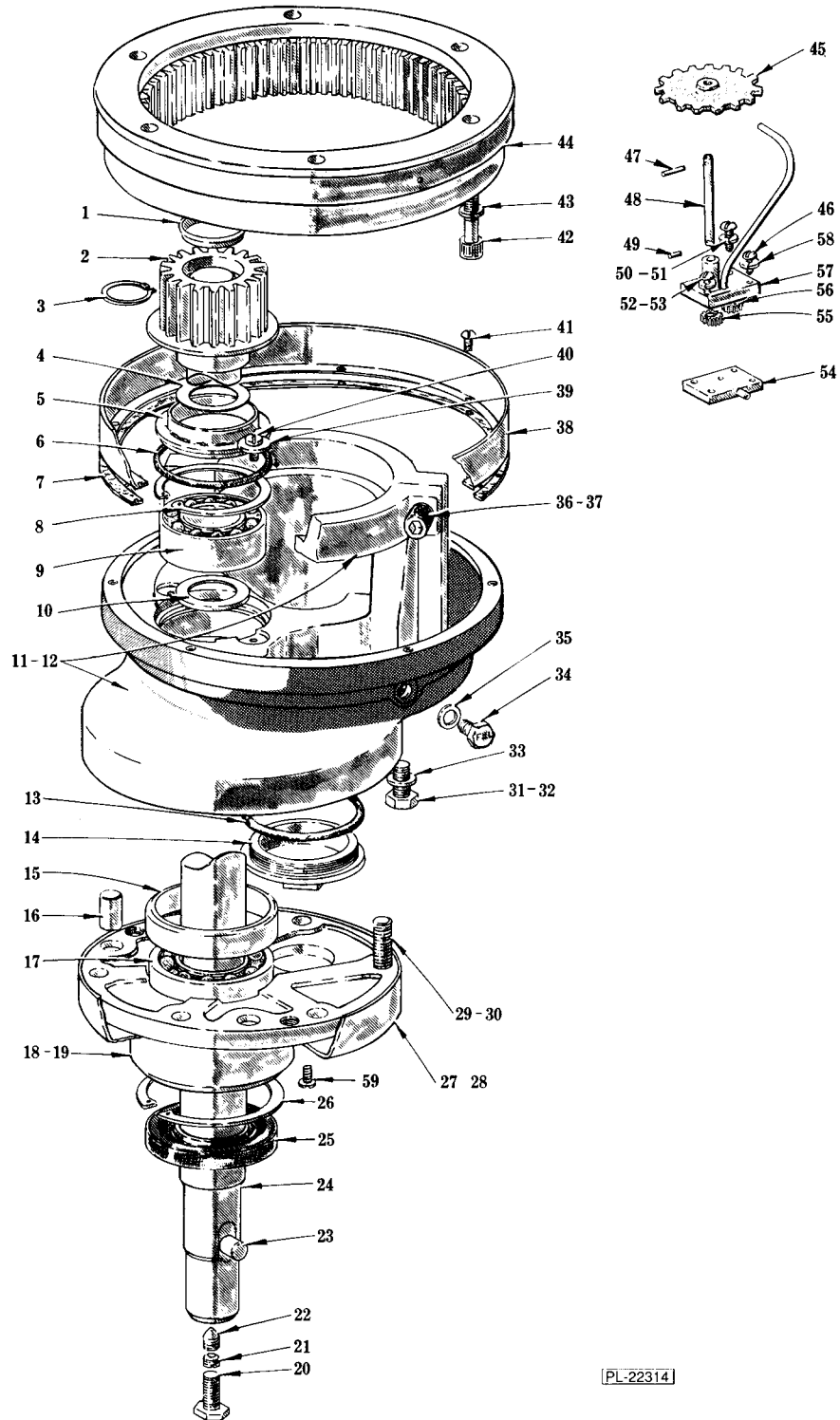
PLANETARY UNIT (M802 SERIES)



**PLANETARY UNIT
(M802 SERIES)**

ILLUS. PL-22313	PART NO.	NAME OF PART	AMT.
1	64723	Screw - Agitator Shaft.....	1
2	SC-47-41	Set Screw 3/8-16 x 3/8 Soc. Hdls., Cup Pt.....	1
3	7744	Set Screw -Hdls., Cone Pt.....	1
4	65717	Pin - Agitator Shaft.....	1
5	65749	Agitator Shaft Assy.(Incls.items 1, 2, 3 & 4).....	1
6	24651	Seal - Planetary.....	1
7	BB-7-39	Ball Bearing - M.R.C. #207-SZZ.....	1
8	437496-2	Cap - Seal(Painted).....	1
9	437496-3	Cap - Seal(Chrome Plated).....	1
10	67500-21	"O" Ring.....	1
11	SC-62-60	Cap Screw 1/2-20 x 1 Hex Hd.(Painted)(Drain Plug for Planetary).....	1
12	SC-37-26	Cap Screw 1/2-20 x 1 Hex Hd.(Deluxe)(Drain Plug for Planetary).....	1
13	WS-21-21	Washer.....	1
14	64464	Gasket - Planetary.....	1
15	64478	Extension - Planetary.....	1
16	SC-9-70	Mach. Screw 6-32 x 1/4 Rd. Hd.....	8
17	SC-9-50	Mach. Screw 10-32 x 3/4 Rd. Hd.....	1
18	WL-3-22	Lockwasher 10 Light.....	1
19	SC-9-39	Mach. Screw 8-32 x 3/4 Rd. Hd.....	1
20	WL-3-15	Lockwasher 8 Light.....	1
21	538772	Dowel 3/32 Dia. x 1 1/2 Lg.....	1
22	186272	Shaft - Oil Pump.....	1
23	RP-2-8	Roll Pin 3/64 Dia. x 1 1/16 Lg.....	1
24	64844	Bottom Plate Planetary Oil Pump Assy.....	1
25	186270	Gear - Oil Pump (15T)(Slotted).....	1
26	290277	Gear - Oil Pump (15T)(Slotted).....	1
27	123681	Housing & Tube Assy.....	1
28	WL-3-22	Lockwasher 10 Light.....	2
29	SC-81-17	Mach. Screw 10-32 x 1 Rd. Hd.....	2
30	64614	Drive Gear Assy.(15T).....	1
31	SC-40-27	Cap Screw 3/8-16 x 2 1/4 Soc. Fil. Hd.....	6
32	WL-4-1	Lockwasher 3/4 High Collar.....	6
33	438121	Gear - Internal (59T).....	1
34	60071	Cap - Oil Retaining.....	1
35	74288	Key - Internal Pinion.....	1
36	RR-5-8	Retaining Ring.....	1
37	64732	Internal Pinion & Deflector Assy.(18T).....	1
38	60768	Shim - Internal Pinion.....	AR
39	65408	Spacer - Agitator Shaft.....	1
40	73011	Baffle - Planetary Oil.....	1
41	67500-21	"O" Ring.....	1
42	RR-4-24	Retaining Ring.....	1
43	BB-6-36	Ball Bearing - M.R.C. #306-SZZ.....	1
44	SC-11-72	Mach. Screw 1/4-20 x 3/8 Fil. Hd.....	2
45	WS-3-46	Washer.....	2
46	SC-40-35	Cap Screw 1/2-13 x 1 1/2 Soc. Fil. Hd.....	2
47	WL-4-14	Lockwasher 1/2 High Collar.....	2
48	64465-3	Plug - Oil Fill.....	1
49	WS-21-20	Washer.....	1
50	103645-1	Planetary & Bearing Cap Assy.(Painted)(Incls.items 46 & 47).....	1
51	103645-2	Planetary & Bearing Cap Assy.(Deluxe)(Incls.items 46 & 47).....	1
	290232-1	Planetary Oil Pump Assy.(PTD)(Incls.items 17 thru 27 & 30).....	1
	104532-1	Planetary (PTD)(Incls. 5, 6, 7, 11, 13, 34 thru 45, 48, 49 & 50).....	1
	104532-2	Planetary (Deluxe)(Incls. 5, 6, 7, 12 thru 30, 34 thru 45, 48, 49 & 51).....	1

M802/V1401 REPLACEMENT PARTS



PL-22314

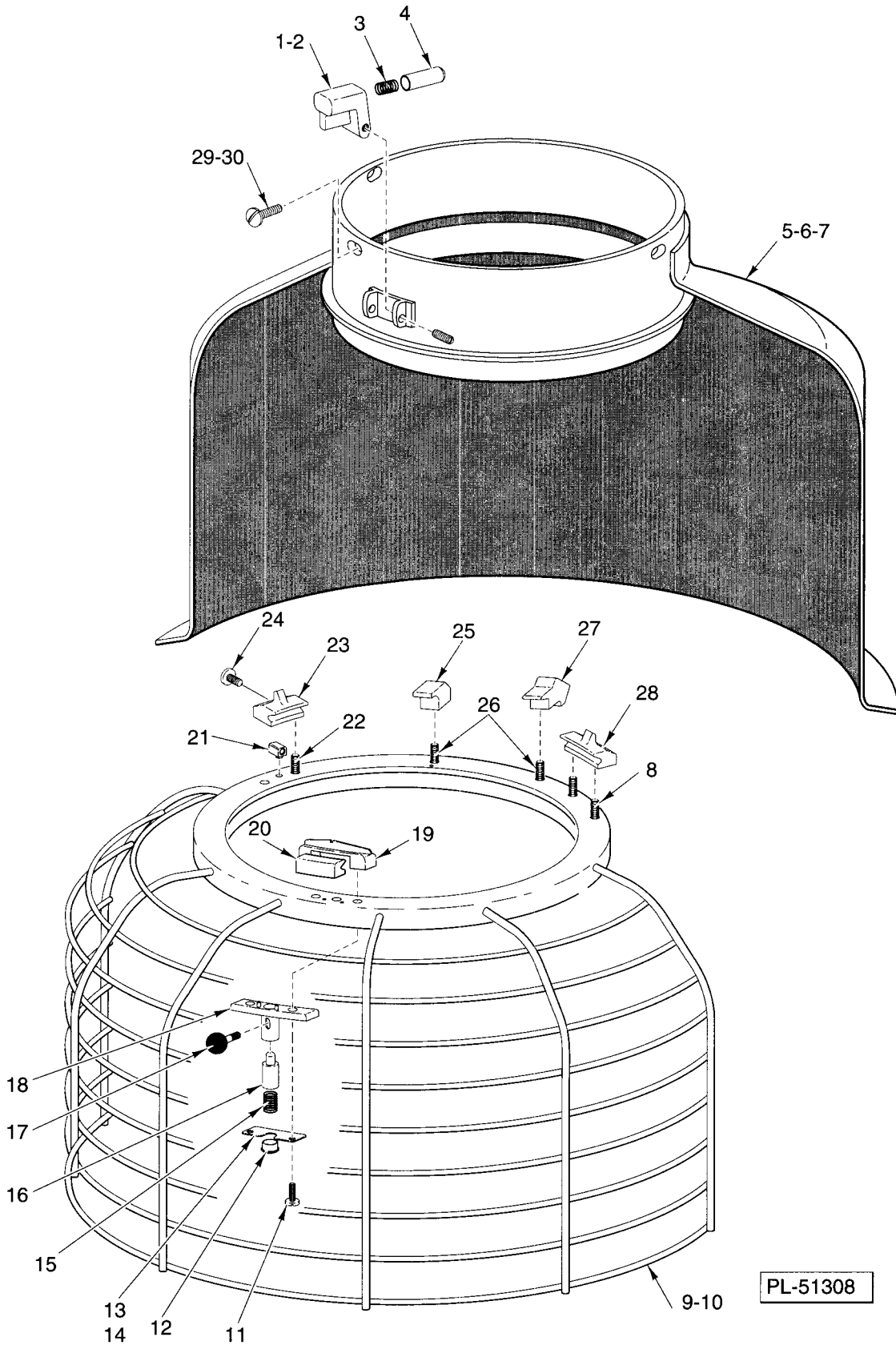
**PLANETARY UNIT
(V1401 SERIES)**



**PLANETARY UNIT
(V1401 SERIES)**

ILLUS. PL-22314	PART NO.	NAME OF PART	AMT.
1	60071	Cap - Oil Retaining	1
2	67886	Internal Pinion & Oil Deflector Assy.(18T)	1
3	RR-6-8	Retaining Ring	1
4	68277	Shim - Internal Pinion	AR
5	73011	Baffle - Planetary Oil	1
6	67500-21	"O" Ring	1
7	64464	Gasket - Planetary	1
8	RR-4-24	Retaining Ring	1
9	BB-9-44	Ball Bearing - MRC #5207-KF	1
10	67902	Spacer - Agitator Shaft	1
11	110360-1	Planetary & Brg. Cap Assy.(Painted)(Incls.items 36 & 37)	1
12	110360-2	Planetary & Brg. Cap Assy.(Deluxe)(Incls.items 36 & 37)	1
13	67500-21	"O" Ring	1
14	437496-2	Cap - Seal (Painted)	1
15	67903	Locator - Bearing	1
16	11800-237	Dowel	2
17	BB-9-45	Ball Bearing - MRC #5210-KF	1
18	67921-1	Plate - Bearing (Painted)	1
19	67921-2	Plate - Bearing (Deluxe)	1
20	64723	Screw - Agitator Shaft	1
21	SC-47-41	Set Screw 3/8-16 x 3/8 Soc. Hdls., Cup Pt.	1
22	7744	Set Screw -Hdls., Cone Pt.	1
23	77757	Pin - Agitator Shaft	1
24	73821	Agitator Shaft Unit Assy.(Incls.items 20, 21, 22 & 23)	1
25	68045	Seal - Planetary	1
26	RR-6-7	Retaining Ring	1
27	68041-2	Cover - Planetary Brg. Plate (Use on Machines With Bowl Scraper)	1
28	68041	Cover - Planetary Brg. Plate	1
29	SC-62-19	Cap Screw 1/2-13 x 2 Hex Hd.	6
30	WL-4-13	Lockwasher 1/2 Medium	6
31	SC-62-60	Cap Screw 1/2-20 x 1 Hex Hd.(Painted)(Drain Plug for Planetary)	1
32	SC-37-26	Cap Screw 1/2-20 1 Hex Hd.(Deluxe)(Drain Plug for Planetary)	1
33	WS-21-21	Washer	1
34	64465-3	Plug - Oil Fill	1
35	WS-21-20	Washer	1
36	SC-40-35	Cap Screw 1/2-13 x 1 1/2 Soc. Fil. Hd.	2
37	WL-4-14	Lockwasher 1/2 High Collar	2
38	64478	Extension - Planetary	1
39	WS-3-46	Washer	2
40	SC-11-72	Mach. Screw 1/4-20 X 3/8 Fil. Hd.	2
41	SC-9-70	Mach. Screw 6-32 x 1/4 Rd. Hd.	8
42	SC-40-28	Cap Screw 3/8-16 x 2 1/2 Soc. Fil. Hd.	6
43	WL-4-1	Lockwasher 3/8 High Collar	6
44	438050	Gear - Internal (59T)	1
45	64614	Drive Gear Assy.(15T)	1
46	SC-81-17	Mach. Screw 10-32 x 1 Rd. Hd.	2
47	RP-2-8	Roll Pin 3/64 Dia. x 1 1/16 Lg.	1
48	186272	Shaft - Oil Pump	1
49	538772	Dowel 3/32 Dia. x 1 1/32 Lg.	1
50	SC-9-39	Mach. Screw 8-32 x 3/4 Rd. Hd.	1
51	WL-3-15	Lockwasher 8 Light	1
52	SC-9-50	Mach. Screw 10-32 x 3/4 Rd. Hd.	1
53	WL-3-22	Lockwasher 10 Light	1
54	64844	Bottom Plate Planetary Oil Pump Assy.	1
55	186270	Gear - Oil Pump (15T)(Slotted)	1
56	290277	Gear - Oil Pump (15T)(Slotted)	1
57	123681	Housing & Tube Assy.	1
58	WL-3-22	Lockwasher 10 Light	2
59	80531	Screw - Special "Nylok"	2
	290232-2	Planetary Oil Pump Assy.(Incls.items 45 & 47 thru 57)	1
	89050-1	Planetary (Complete)(Painted)	1
	89050-2	Planetary (Complete)(Deluxe)	1

M802/V1401 REPLACEMENT PARTS

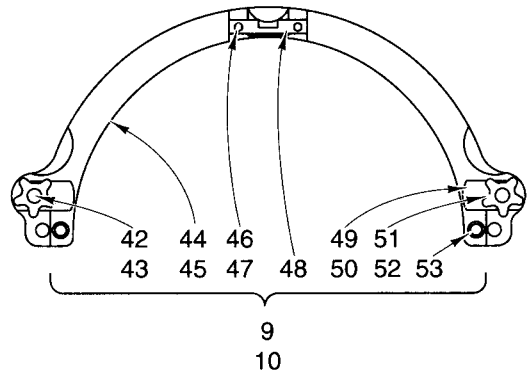
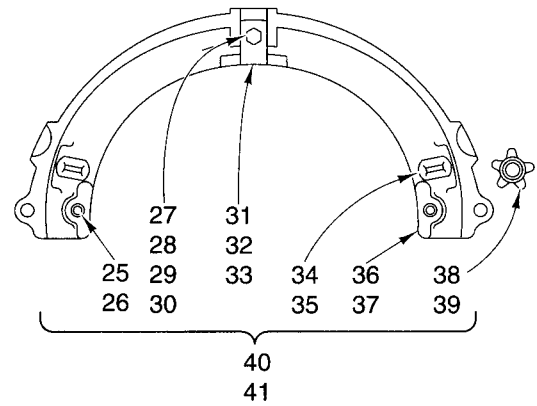
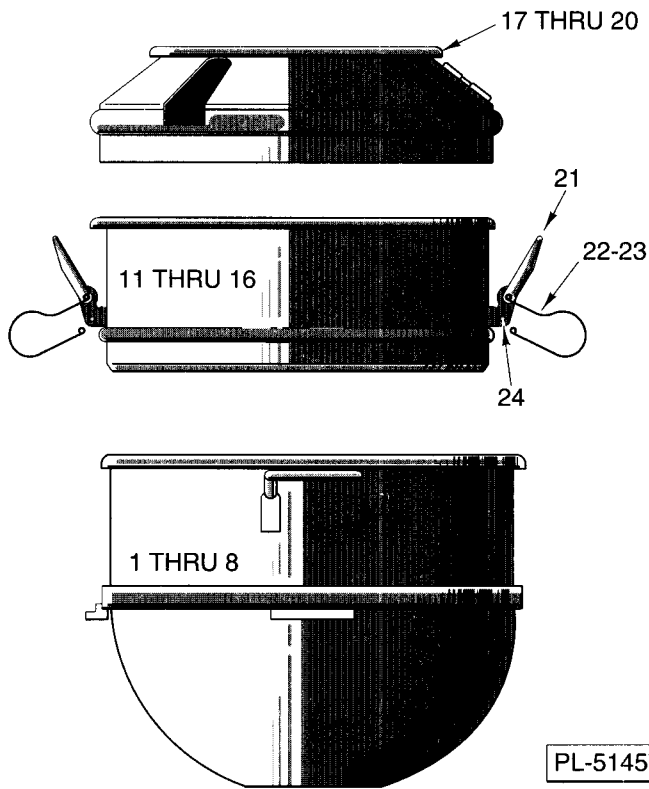


BOWL GUARD UNIT

BOWL GUARD UNIT

ILLUS. PL-51308	PART NO.	NAME OF PART	AMT.
1	437444-2	Latch - Cage Detent	1
2	437451	Set Screw - "Special"	2
3	437446-1	Spring - Cage Detent	1
4	437445	Plunger - Drip Cup	1
5	438118	Splash Guard Assy.(M802 Std.)(Incls.items 1 thru 4)	1
6	438564	Splash Guard Assy.(M802 Higher than Std.)(Incls.items 1 thru 4)	1
7	438044	Splash Guard Assy.(V1401 Series)(Incls.items 1 thru 4)	1
8	SC-122-45	Mach. Screw - "Special" 1/4-20 x 3/8 Truss Hd.	2
9	438120	Wire Cage Assy.(M802 Series)(Incls.items 8, 11 thru 13 & 15 thru 28)	1
10	438049	Wire Cage Assy.(V1401 Series)(Incls.items 8, 11, 12 & 14 thru 28)	1
11	SC-122-46	Mach. Screw - "Special" 1/4-20 x 3/4 Truss Hd.	2
12	438053	Plug - Plunger Housing	1
13	437691	Stop - Cage (M802 Series)	1
14	438126	Stop - Cage (V1401 Series)	1
15	437446-2	Spring - Cage On/Off	1
16	437432	Plunger	1
17	437436	Pin - Plunger	1
18	437447	Housing & Pin Assy.	1
19	437437-2	Saddle - Shoe	1
20	437433-1	Shoe - Saddle	1
21	437720	Key - Shoe	1
22	SC-122-45	Mach. Screw - "Special" 1/4-20 x 3/8 Truss Hd.	2
23	437433-3	Shoe - Adjustable	1
24	SC-122-44	Mach. Screw - "Special" 8-32 x 3/8 Truss Hd.	1
25	438055	Bumper - Cage	1
26	SC-122-44	Mach. Screw - "Special" 8-32 x 3/8 Truss Hd.	2
27	437442	Retainer - Magnet	1
28	437433-2	Shoe - Fixed	1
29	SC-21-39	Mach Screw 1/4-20 x 3/8 Rd. Hd. (M802 Series)	3
30	SC-21-37	Mach. Screw 1/4-20 x 3/8 Rd. Hd. (V1401 Series)	3
	438286	Kit - Bowl Guard (M802)	1
	438282	Kit - Bowl Guard (V1401)	1





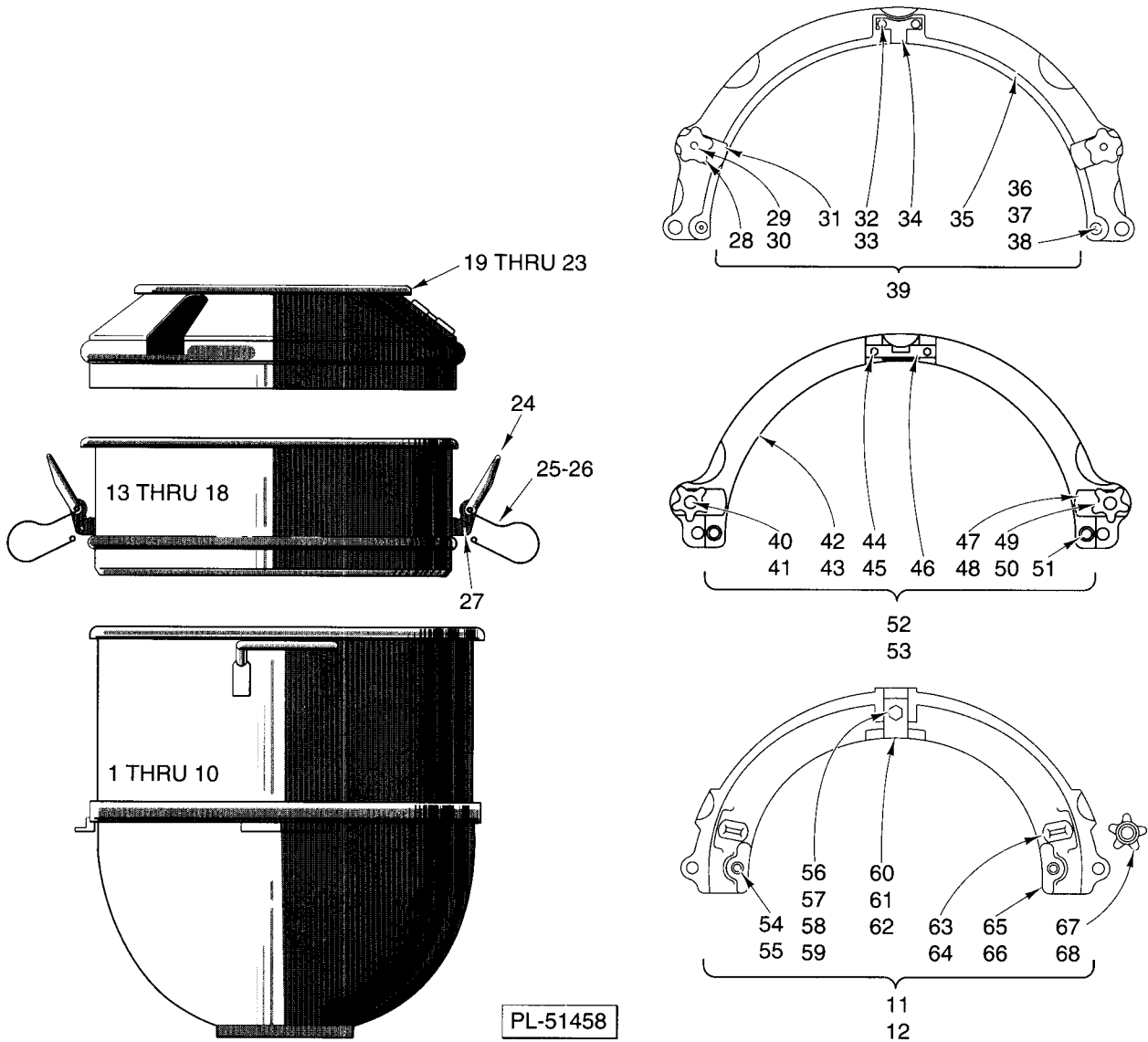
**BOWLS AND EQUIPMENT
(M802 SERIES)**



**BOWLS AND EQUIPMENT
(M802 SERIES)**

ILLUS. PL-51457	PART NO.	NAME OF PART	AMT.
1	275690	Bowl - 80 Qt.(SST)(Packaged)	1
2	275689	Bowl - 80 Qt.(Tinned)(Packaged)	1
3	275688	Bowl - 60 Qt.(SST)(Packaged)	1
4	275687	Bowl - 60 Qt.(Tinned)(Packaged)	1
5	275686	Bowl - 40 Qt.(SST)(Packaged)	1
6	295650	Bowl - 40 Qt.(Tinned)(Packaged)	1
7	295648	Bowl - 30 Qt.(SST)(Packaged)	1
8	275684	Bowl - 30 Qt.(Tinned)(Packaged)	1
9	61033-3	Bowl Adapter Assy.(Deluxe)(80-60 Qt.)(Pkg)(Incls.items 42,43,44,46,47,48,49,51 & 53)	1
10	61033-1	Bowl Adapter Assy.(Tinned)(60-80 Qt.)(Pkg)(Incls.items 42,43,45,46,47,48,50,52 & 53)	1
11	438104-2	Extension - 80 Qt. Bowl (SST)(Flange Top Bowl)(Packaged)(Incls.items 21 thru 24)	1
12	438104-4	Extension - 60 Qt. Bowl (SST)(Flange Top Bowl)(Packaged)(Incls.items 21 thru 24)	1
13	295270	Extension - 40 Qt. Bowl(SST)(Flange Top Bowl)(Packaged)	1
14	295268	Extension - 40 Qt.Bowl(Tinned)(Flange Top Bowl)(Packaged)	1
15	295275	Extension - 30 Qt.Bowl(SST)(Flange Top Bowl)(Packaged)	1
16	295273	Extension - 30 Qt.Bowl(Tinned)(Flange Top Bowl)(Packaged)	1
17	438083	Splash Cover Assy. - (100 & 80 Qt.)(Packaged)	1
18	438082	Splash Cover Assy. - (60 Qt.)(Packaged)	1
19	438081	Splash Cover Assy. - (40 Qt.)(Packaged)	1
20	438080	Splash Cover Assy. - (30 Qt.)(Packaged)	1
21	437586	Handle - Clamp (80 or 60 Qt.)(For items 11 & 12)	2
22	437636	Spring - Bowl Clamp (80 or 60 Qt.)(Flange Top Bowl)(For items 11 & 12)	2
23	RP-3-22	Roll Pin 3/16 Dia. x 1 1/2 Lg.(For items 11 & 12)	2
24	RP-2-35	Roll Pin 3/16 Dia. x 3/4 Lg.(For items 11 & 12)	2
25	WL-4-17	Lockwasher 5/8 Light	2
26	7629-2	Stud - Bowl Locating	2
27	SC-41-43	Cap Screw 1/2-13 x 1 Hex Hd.	1
28	WL-6-35	Lockwasher 1/2 Light	1
29	WL-4-11	Lockwasher 1/2 Medium	1
30	SC-62-37	Cap Screw 1/2-13 x 1 Hex Hd.	1
31	7624-3	Retainer - Bowl	1
32	111671	Shim - (.010 Thk.)	AR
33	7624-1	Retainer - Bowl	1
34	8100-3	Stud - Clamp	2
35	8100-1	Stud - Clamp	2
36	111165-3	Adapter (80-40 Qt. & 80-30 Qt.)(Deluxe)	1
37	111165-1	Adapter (80-40 Qt. & 80-30 Qt.)(Painted)	1
38	111268-3	Knob - Clamp Stud (Deluxe)	2
39	111268-1	Knob - Clamp Stud (Painted)	2
40	24653-3	Bowl Adapter Assy.(Deluxe)(80-30 Qt.)(Pkg)(Incls.items 25,26,27,28,31,32,34,36 & 38)	1
41	24653-1	Bowl Adapter Assy.(Tinned)(80-30 Qt.)(Pkg)(Incls.items 25,26,29,30,32,33,35,37 & 39)	1
42	22196	Bolt - Bowl Lock	2
43	WL-4-11	Lockwasher 1/2 Medium	2
44	65791-3	Adapter (80-60 Qt.)(Deluxe)	1
45	65791-1	Adapter (80-60 Qt.)(Painted)	1
46	SC-37-88	Cap Screw 5/16-18 x 1 1/4 Hex Hd.	2
47	WL-3-47	Lockwasher 5/16 Medium	2
48	24289	Retainer - Bowl	1
49	65532-3	Clamp - Bowl Adapter (Deluxe)	2
50	65532-1	Clamp - Bowl Adapter (Painted)	2
51	8101-3	Knob - Clamp Stud (Deluxe)(Packaged)	2
52	8101-1	Knob - Clamp Stud (Tinned)	2
53	24300	Pin - Bowl Locating	2
	315347	Bowl - 100 Qt.(Tinned)(Packaged)(Not Shown)	1
	315348	Bowl - 100 Qt.(SST)(Packaged)(Not Shown)	1

M802/V1401 REPLACEMENT PARTS



**BOWL & EQUIPMENT
(V1401 SERIES)**

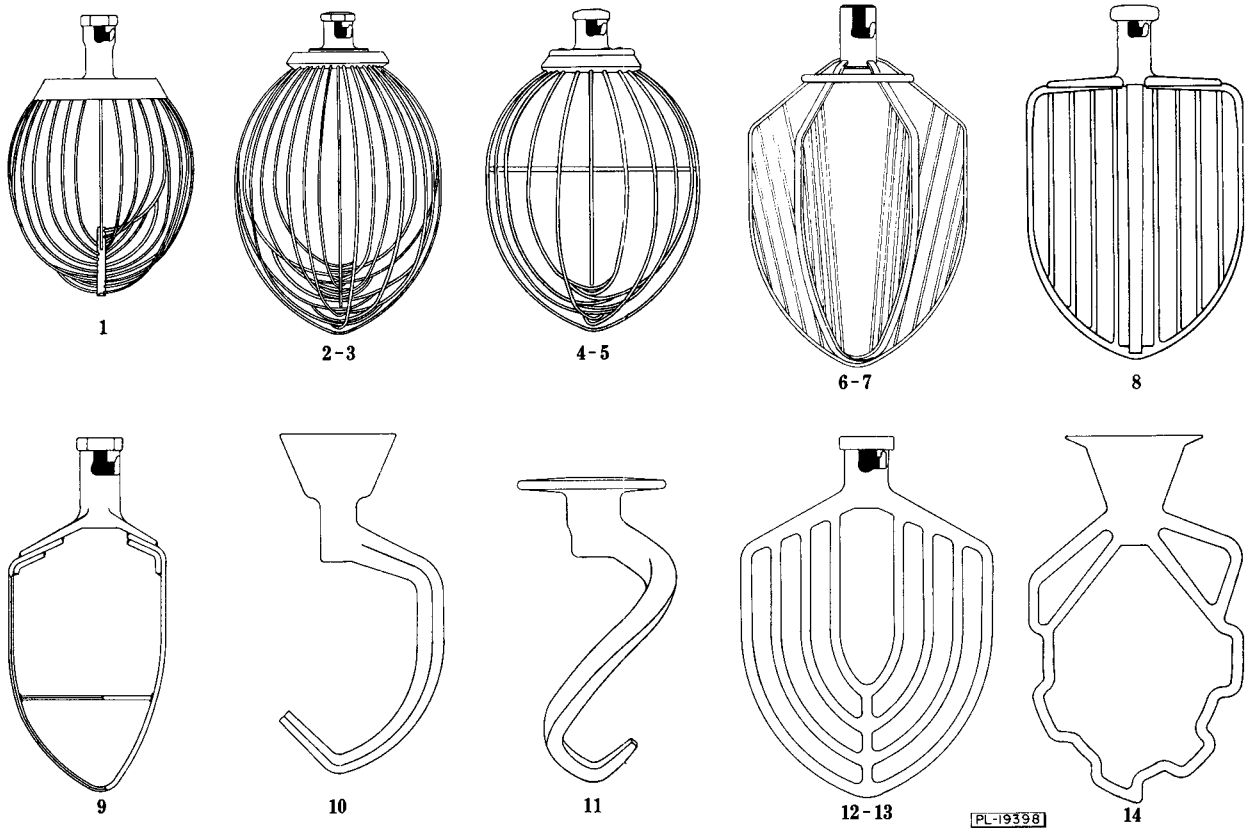
ILLUS. PL-51458	PART NO.	NAME OF PART	AMT.
1	275692	Bowl - 140 Qt.(Packaged)	1
2	295651	Bowl - 140 Qt.(SST)(Packaged)	1
3	275689	Bowl - 80 Qt.(Tinned)(Packaged)	1
4	275690	Bowl - 80 Qt.(SST)(Packaged)	1
5	275687	Bowl - 60 Qt.(Tinned)(Packaged)	1
6	275688	Bowl - 60 Qt.(SST)(Packaged)	1



**BOWL & EQUIPMENT (Cont.)
(V1401 SERIES)**

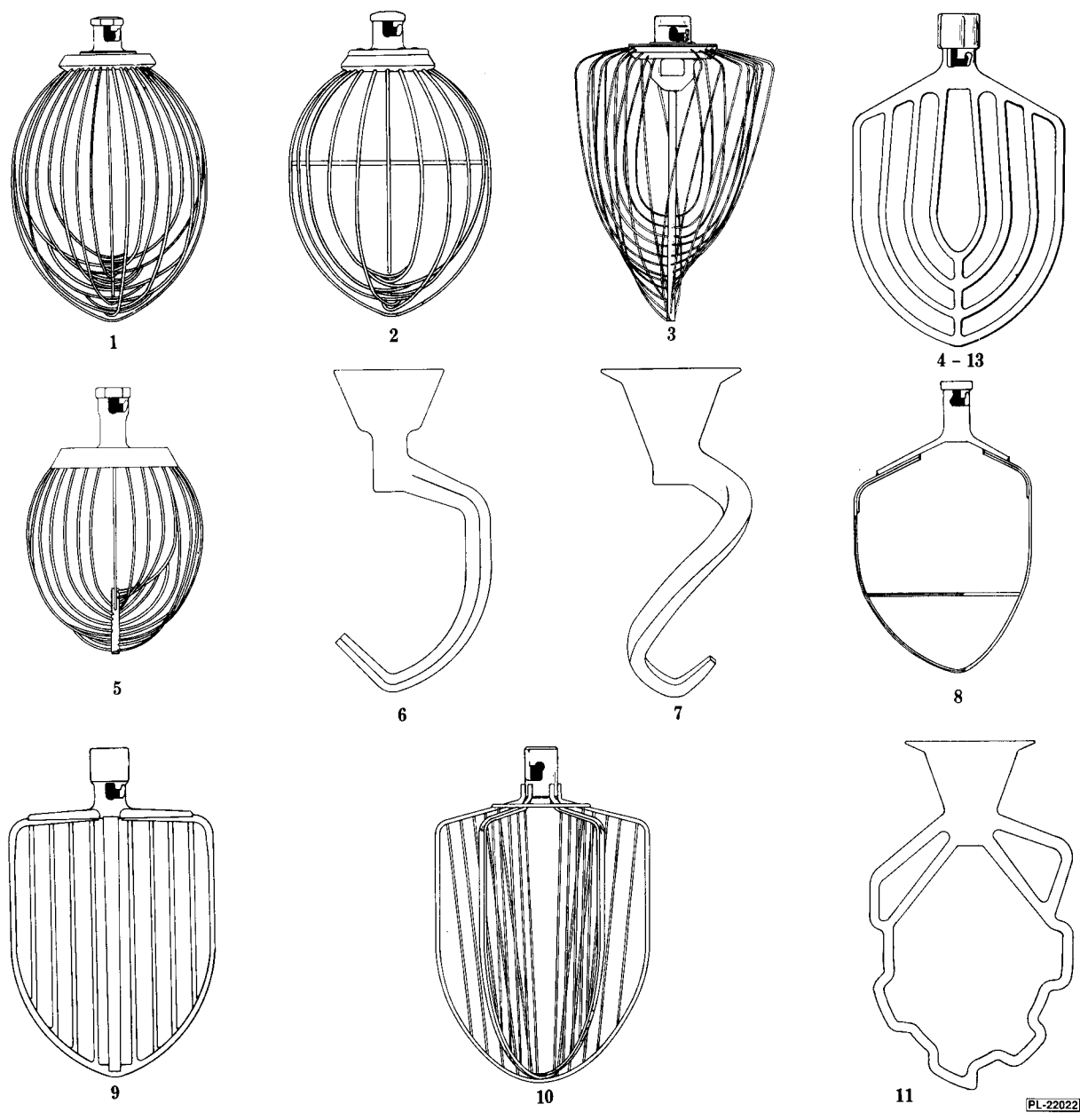
ILLUS. PL-51458	PART NO.	NAME OF PART	AMT.
7	295650	Bowl - 40 Qt.(Tinned)(Packaged)	1
8	275686	Bowl - 40 Qt.(SST)(Packaged)	1
9	275684	Bowl - 30 Qt.(Tinned)(Packaged)	1
10	295648	Bowl - 30 Qt.(SST)(Packaged)	1
11	24653-3	Bowl Adapter Assy.(Deluxe)(80-30 Qt.)(Pkg)(Incls.items 54,55,58,59,61,62,64,66 & 68)	1
12	24653-1	40 Qt. Bowl Adapter Assy. Unit (Pkg)(Incls.items 54,55,56,57,60,61,63,65 & 67)	1
13	438104-2	Extension Assy.(SST)(100 & 80 Qt. Flanged Top Bowl)(Pkg)(Incls.items 24 thru 27)	1
14	438104-4	Extension Assy.(SST)(60 Qt. Flange Top Bowl)(Pkg)(Incls.items 24 thru 27)	1
15	295268	Extension - 40 Qt.Bowl(Tinned)(Flange Top Bowl)(Packaged)	1
16	295270	Extension - 40 Qt. Bowl(SST)(Flange Top Bowl)(Packaged)	1
17	295273	Extension - 30 Qt.Bowl(Tinned)(Flange Top Bowl)(Packaged)	1
18	295275	Extension - 30 Qt.Bowl(SST)(Flange Top Bowl)(Packaged)	1
19	438084	Splash Cover Assy.(140 Qt.)(Packaged)	1
20	438083	Splash Cover Assy. - (100 & 80 Qt.)(Packaged)	1
21	438082	Splash Cover Assy. - (60 Qt.)(Packaged)	1
22	438081	Splash Cover Assy.- (40 Qt.)(Packaged)	1
23	438080	Splash Cover Assy.- (30 Qt.)(Packaged)	1
24	437586	Handle - Clamp (For items 11 thru 18)	2
25	437636	Spring - Clamp (Flange Top Bowl)(For items 13 thru 18)	2
26	RP-3-22	Roll Pin 3/16 Dia x 1 1/2 Lg. (For items 13 thru 18)	2
27	RP-2-35	Roll Pin 3/16 Dia. x 3/8 Lg. (For items 13 thru 18)	2
28	8101-1	Knob - Clamp Stud (Tinned)	2
29	22196	Bolt - Bowl Lock	2
30	WL-4-11	Lockwasher 1/2 Medium	2
31	65532-1	Clamp - Bowl Adapter (Painted)	2
32	SC-36-40	Cap Screw 5/16-18 x 1 1/4 Hex Hd.	2
33	WL-3-47	Lockwasher 3/16 Medium	2
34	21020	Retainer - Bowl	1
35	65792	Adapter (140 to 80 Qt.)	1
36	62110	Stud - Bowl Locating	2
37	WL-4-4	Lockwasher 3/8 Light	2
38	NS-13-25	Full Nut 3/8-16 Hex	2
39	62111	80 Qt. Bowl Adapter Assy.(Packaged)(Incls.items 28 thru 38)	1
40	22196	Bolt - Bowl Lock	2
41	WL-4-11	Lockwasher 1/2 Medium	2
42	65791-1	Adapter (80-60 Qt.)(Painted)	1
43	65791-3	Adapter (80-60 Qt.)(Deluxe)	1
44	SC-37-88	Cap Screw 5/16-18 x 1 1/4 Hex Hd.	2
45	WL-3-47	Lockwasher 3/16 Medium	2
46	24289	Retainer - Bowl	1
47	65532-1	Clamp - Bowl Adapter (Painted)	2
48	65532-3	Clamp - Bowl Adapter (Deluxe)	2
49	8101-1	Knob - Clamp Stud (Tinned)	2
50	8101-3	Knob - Clamp Stud (Deluxe)(Packaged)	2
51	24300	Pin - Bowl Locating	2
52	61033-1	60 Qt. Adapter Assy. Unit (Pkg)(Incls.items 40,41,42,44,45,46,47,49 & 51)	1
53	61033-3	Bowl Adapter Assy.(Deluxe)(80-60 Qt.)(Pkg)(Incls.items 40,41,43,44,45,46,48,50 & 51)	1
54	7629-2	Stud - Bowl Locating	2
55	WL-4-17	Lockwasher 3/8 Light	2
56	SC-62-37	Cap Screw 1/2-13 x 1 Hex Hd.	1
57	WL-4-11	Lockwasher 1/2 Medium	1
58	SC-41-43	Cap Screw 1/2-13 x 1 Hex Hd.	1
59	WL-6-35	Lockwasher 1/2 Light	1
60	7624-1	Retainer - Bowl	1
61	111671	Shim - (.010 Thk.)	AR
62	7624-3	Retainer - Bowl	1
63	8100-1	Stud - Clamp	2
64	8100-3	Stud - Clamp	2
65	111165-1	Adapter (80-40 Qt. & 80-30 Qt.)(Painted)	1
66	111165-3	Adapter (80-40 Qt. & 80-30 Qt.)(Deluxe)	1
67	111268-1	Knob - Clamp Stud (Painted)	2
68	111268-3	Knob - Clamp Stud (Deluxe)	2

M802/V1401 REPLACEMENT PARTS



AGITATORS (M802 SERIES)

ILLUS.	PART O.	PART NO.	PART NO.	PART NO.	NAME OF PART	AMT.
	80 Qt.	60 Qt.	40 Qt.	30 Qt.		
1	295152	---	---	---	"K" Spiral Whip (Tinned) (Packaged)	1
2	295149	295154	295157	295031	"D" Wire Whip (SST) (Packaged)	1
3	---	---	---	---	"D" Wire Whip (Tinned) (Packaged) (Not Shown)	1
4	---	---	295158	295162	"I" Wire Whip (SST) (Packaged) (Not Shown)	1
5	295150	295155	---	---	"I" Wire Whip (SST) (Packaged)	1
6	295151	295156	295159	---	"C" Six Wing Whip (Tinned) (Packaged)	1
7	---	---	---	295160	"C" Four Wing Whip (Tinned) (Packaged) (Not Shown)	1
8	295153	---	---	---	"J" Four Wing Beater (Tinned) (Packaged)	1
9	275836	275865	275449	275972	"P" Pastry Knife (Tinned) (Packaged)	1
10	275466	295175	295176	275458	"D" Dough Arm (Alum.) (Packaged)	1
11	295171	295174	---	---	"ED" Dough Arm (Spiral) (Alum.) (Packaged)	1
12	295041	275886	295033	295034	"B" Flat Beater (SST) (Packaged)	1
13	275448	275885	275447	275809	"B" Flat Beater (Alum.) (Packaged)	1
14	295172	295173	275454	295038	"S" Sweet Dough Arm (Alum.) (Packaged)	1

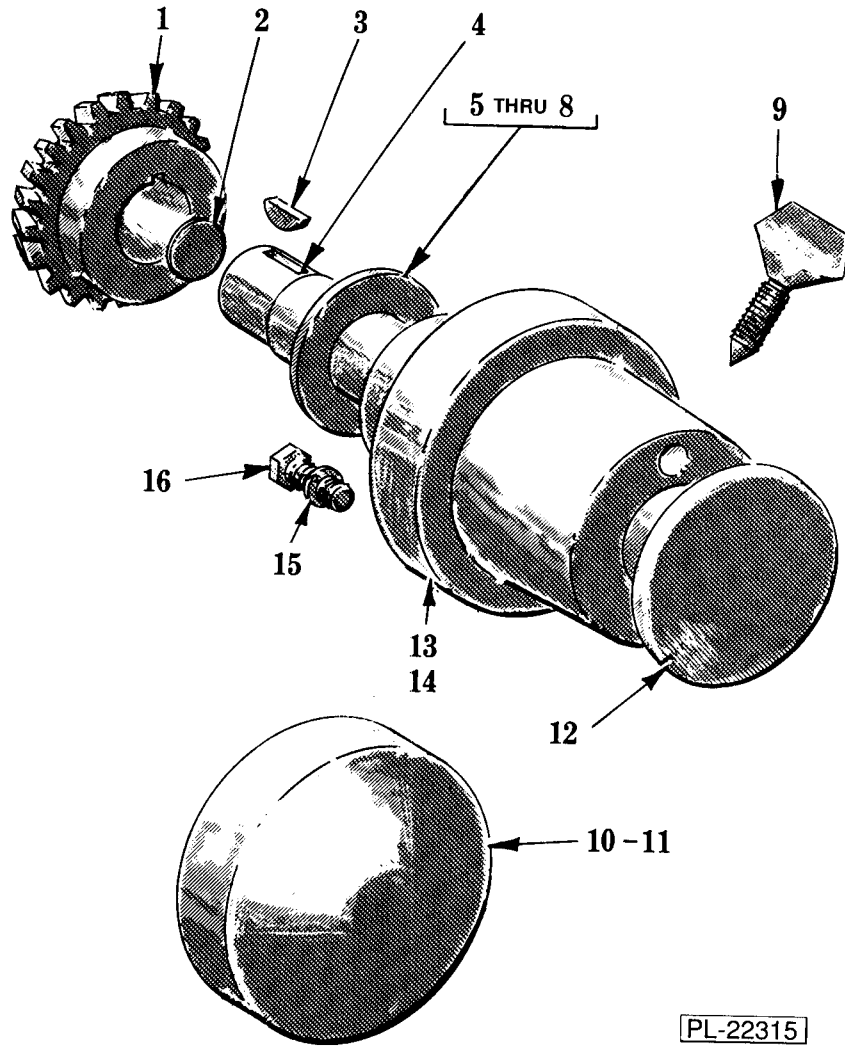


AGITATORS (V1401 SERIES)

ILLUS. PL-22022	PART NO.	PART NO.	PART NO.	PART NO.	NAME OF PART	AMT.
	140 Qt.	80 Qt.	60 Qt.	40 Qt.		
1	295143	295149	295154	295157	"D" Wire Whip (SST) (Packaged)	1
2	295144	295150	295155	295158	"I" Wire Whip (SST) (Packaged)	1
3	295147	---	---	---	"Q" Spiral Whip (Tinned) (Packaged)	1
4	275883	275448	275885	275447	"B" Flat Beater (Alum.) (Packaged)	1
5	---	295152	---	---	"K" Spiral Whip (Tinned) (Packaged)	1
6	---	275466	295175	295176	"D" Dough Arm (Alum.) (Packaged)	1
7	295131	295171	295174	---	"ED" Dough Arm (Alum.) (Packaged)	1
8	295169	275836	275865	275449	"P" Pastry Knife (Tinned) (Packaged)	1
9	*24705-2	295153	---	---	"J" Wing Beater (Tinned) (Packaged)	1
10	295145	295151	295156	295159	"C" Six Wing Whip (Tinned) (Packaged)	1
11	295170	295172	295173	275454	"S" Sweet Dough Arm (Alum.) (Packaged)	1
12	295146	---	---	---	"CH" Six Wing Whip (Tinned) (Packaged) (Not Shown)	1
13	275884	295041	275886	295033	"B" Flat Beater (SST) (Packaged)	1

* Not Packaged

M802/V1401 REPLACEMENT PARTS



PL-22315

ATTACHMENT HUB UNIT

ILLUS. PL-22315	PART NO.	NAME OF PART	AMT.
1	64422	Bevel Pinion (Attach.)(21T)	1
2	PL-3-22	Plug 1 $\frac{1}{2}$ Expansion	1
3	KW-3-15	Key - Woodruff #807	1
4	291679	Sleeve - Square Drive (#12 Attachment Hub)	1
5	11091-3	Shim - Bevel Pinion (.056 Thk.)	AR
6	11091-4	Shim - Bevel Pinion (.062 Thk.)	AR
7	11091-5	Shim - Bevel Pinion (.080 Thk.)	AR
8	11091-11	Shim - Bevel Pinion (.074 Thk.)	AR
9	108197-2	Thumb Screw $\frac{1}{2}$ -12	1
10	64612-1	Cover(Painted)(Plugs Attachment Hub Hole)	1
11	64612-3	Cover(Deluxe)(Plugs Attachment Hub Hole)	1
12	114824-1	Plug - Attachment Hub (Deluxe)	1
13	291680-3	Hub - Attachment (#12 Painted)	1
14	291680-2	Hub - Attachment (#12 Deluxe)	1
15	WL-4-2	Lockwasher $\frac{3}{8}$ Light	4
16	SC-36-57	Cap Screw $\frac{3}{8}$ -16 x 1 $\frac{1}{4}$ Hex Hd.	4